

Holemaker®

www.holemaker.com

CATALOGUE
2016



- > Magnetic Base Drilling Machines
- > Annular Cutters

Magnetic Base Drilling Machines Australia's most comprehensive range!

With our wide range of machine styles, sizes and designs,
there is a Holemaker machine to suit **every application!**

- Reliable and durable European made machines
- Over 20 different models of magnetic drilling machines, stocked in Australia!
- Over 25 years of development



MACHINE SELECTION GUIDE

	Model	Cutter Capacity	Tooling Capacity	Morse Taper	Weight	Stroke	Pg #
	Holemaker PRO 35	35mm Diameter 52mm Depth	12mm Drill Bit 40mm Countersink		10.0kg	70mm	4
	Holemaker PRO 35 AUTO	35mm Diameter 52mm Depth	12mm Drill Bit 40mm Countersink		13.5kg	70mm	4
	Holemaker PRO 40 PRO 40 QG PRO 40 GR	40mm Diameter 52mm Depth	13mm Drill Bit 40mm Countersink		12.5kg	124mm	5
	Holemaker 40 AD	40mm Diameter 25mm Depth	12mm Drill Bit 40mm Countersink		11.1kg	40mm	6
	Holemaker PRO 50 PRO 50 QG	52mm Diameter 52mm Depth	23mm Drill Bit 55mm Countersink	#2 Morse Taper	16.5kg	153mm	6
	Holemaker PRO 50 D	52mm Diameter 75mm Depth	23mm Drill Bit 55mm Countersink	#2 Morse Taper	16.5kg	153mm	6
	Holemaker PRO 75 PRO 75 SR	75mm Diameter 110mm Depth	32mm Drill Bit 63mm Countersink M24 Tapping	#3 Morse Taper	27.0kg	214mm	7
	Holemaker PRO 110	110mm Diameter 110mm Depth	47mm Drill Bit 63mm Countersink M30 Tapping	#4 Morse Taper	31.0kg	214mm	8
	Holemaker MAX 2X2	52mm Diameter 52mm Depth	23mm Drill Bit 55mm Countersink	#2 Morse Taper	17.0kg	100mm	9
	Holemaker MAX 3X3 MAX 3X3SB	75mm Diameter 75mm Depth	32mm Drill Bit 63mm Countersink M24 Tapping	#3 Morse Taper	28.0kg	215mm	9
	Holemaker MAX 4X4	110mm Diameter 100mm Depth	40mm Drill Bit 63mm Countersink M30 Tapping	#3 Morse Taper	33.0kg	215mm	10
	Holemaker TAP 50	200mm Diameter 250mm Depth	55mm Drill Bit 80mm Countersink M52 Tapping	#5 Morse Taper	53.0kg	265mm	10
	Holemaker HMP35AD HMP35AD-ATEX	35mm Diameter 25mm Depth	12mm Drill Bit		13.0kg	39mm	11
	Holemaker HMP45	45mm Diameter 52mm Depth	23mm Drill Bit 40mm Countersink	#2 Morse Taper	19.0kg	150mm	11
	Holemaker PRO 200A ATEX	200mm Diameter 52mm Depth	52mm Drill Bit 80mm Countersink M52 Tapping	#5 Morse Taper	130kg	400mm	12
	Holemaker PRO 200H ATEX	200mm Diameter 52mm Depth	52mm Drill Bit 80mm Countersink M52 Tapping	#5 Morse Taper	130kg	400mm	12

HOLEMAKER PRO 35 QUALITY, COMPACT & ROBUST FULLY FEATURED MACHINE

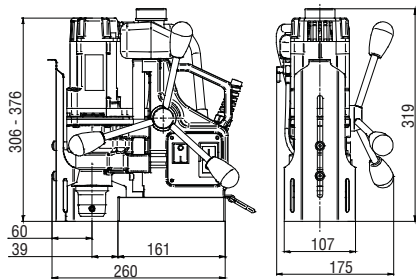


The Holemaker PRO 35 is a high quality, compact and robust, fully featured machine. Weighing in at just 10kg, this machine is ideal for those on-site and overhead tasks, whilst the solid, robust construction means the HMPRO35 is perfect for everyday manufacturing type applications.



The 35mm diameter and 52mm depth cutting capacity will suffice for most general holemaking requirements. Other standard features include a gravity feed coolant system with a magnetically attached coolant bottle, which can be easily removed and attached to the work piece, allowing coolant feed whilst drilling in horizontal applications. The feed handles can be placed on either the left or right hand side, providing further versatility when using this compact machine in tight positions. Dual rail slide system provides rigidity and eliminates the need for gib adjustments. The well designed cutter guard system is easy to use and practical.

*12mm twist drill capacity using Weldon Shank twist drill bits.



OPTIONAL ACCESSORIES & CONSUMABLES



Holemaker Cutters - pg13



Weldon Shank Drills - pg21

Part No.	HMPRO35
Capacity (Diameter)	35mm
Capacity (Depth)	52mm
Motor Power	920 watt
Input Power	1000 watt Single Phase 240V
Speed	350rpm
Weight	10.0kg
Magnetic Dead Lift	9500Nm On 25mm Steel Plate
Stroke	70mm
Height (min / max)	306 / 376mm
Through Spindle Coolant System	
Smart Magnet Technology To Ensure Sufficient Magnetic Adhesion	
Supplied In Plastic Carry Case With Cutter Guard & Safety Strap	

HOLEMAKER PRO 35 AUTO QUALITY, COMPACT & ROBUST FULLY FEATURED MACHINE

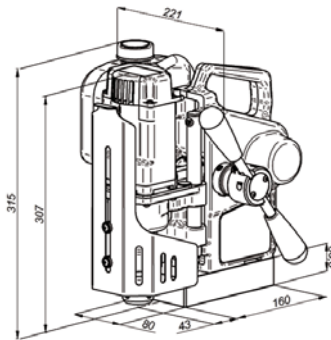


The Holemaker PRO 35 AUTO is equipped with many advanced systems & is an ideal cost saving solution for drilling a large number of holes with diameters up to 35mm and maximum depth up to 52mm.



Superior features of the Holemaker PRO 35 AUTO drilling machine include:

- Compact, rigid design with ultra-light weight of 13.5 kg
- Perfect combination of spindle speeds and torque reduces cycle times for both TCT and HSS cutters
- Smart control systems for excellent performance and operator's safety
- Dual rail slide system ensures extraordinary rigidity and maintenance free operation
- Integrated cutter guard
- Large capacity coolant tank



OPTIONAL ACCESSORIES & CONSUMABLES



Holemaker Cutters - pg13



Weldon Shank Drills - pg21

Part No.	HMPRO35AUTO
Capacity (Diameter)	35mm
Capacity (Depth)	52mm
Motor Power	920 watt
Input Power	1000 watt Single Phase 240V
Speed	350rpm
Weight	13.5kg
Magnetic Dead Lift	9500Nm On 25mm Steel Plate
Stroke	70mm
Height (min / max)	306 / 376mm
Through Spindle Coolant System	
Smart Magnet Technology To Ensure Sufficient Magnetic Adhesion	
Supplied In Metal Carry Case With Cutter Guard & Safety Strap	

HOLEMAKER PRO 40 DURABLE & VERSATILE MACHINE



The Holemaker Pro 40 is a highly versatile, durable machine, offering exceptional value for money.

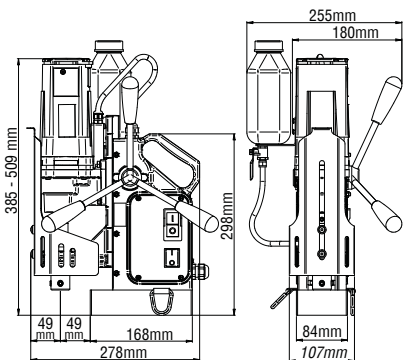
This quality European machine features a 1020 watt industrial motor, powerful dual coil magnet and cutting capacity of 40mm diameter and 52mm depth using Holemaker cutters.

Offered as standard with a grub screw arbor system, which fastens positively onto Holemaker cutters. A Quick Grip Arbor System is available as an option.

The through cutter coolant feed, with an external side mounted gravity feed coolant tank ensures smooth fast clean hole cutting.

The feed handles can be placed on either the left or right hand side, for increased versatility.

An optional drill chuck system is available (SA70102), giving the ability to use twist drills up to 13mm diameter. The drill chuck system replaces the entire weldon arbor, allowing the full stroke of the machine to be utilised when using drill bits.



OPTIONAL ACCESSORIES & CONSUMABLES



Holemaker Cutters - pg13



Twist Drill Chuck - pg32

Part No.	HMPRO40
Capacity (Diameter)	40mm
Capacity (Depth)	52mm
Capacity (Twist Drill)	13mm
Motor Power	1020 watt
Input Power	1100 watt Single Phase 240V
Speed	440rpm
Weight	12.5kg
Magnetic Dead Lift	10650Nm On 25mm Steel Plate
Stroke	124mm
Height (min / max)	385 / 509mm
Through Spindle Coolant System	
Smart Magnet Technology To Ensure Sufficient Magnetic Adhesion	
Supplied In Metal Carry Case With Cutter Guard & Safety Strap	

HOLEMAKER PRO 40 QG AS PER THE HOLEMAKER PRO 40 WITH QUICK GRIP ARBOR SYSTEM



The Holemaker PRO 40 is available with an optional Quick Grip Arbor System.

This arbor offers a fast, tool-less approach to inserting and removing Holemaker cutters.

The Quick Grip Arbor System is suitable for use with standard Weldon Shank annular cutters with 2 flat sections at 90°, as well as Holemaker universal shank cutters.



Part No.	Description
HMPRO40QG	Holemaker Pro 40 With Quick Grip Arbor

HOLEMAKER PRO 40 GR AS PER THE HOLEMAKER PRO 40 WITH FEED GEAR REDUCTION SYSTEM



The Holemaker Pro 40 is available with Feed Gear Reduction. This unique feature reduces the gearing 2:1 on the down feed which makes for smoother hole cutting and ease of operation.



This feature is highly beneficial when drilling hardened steels such as Bisalloy, wear plate and exotic alloys.

Part No.	Description
HMPRO40GR	Holemaker Pro 40 With Feed Gear Reduction

HOLEMAKER PRO 40 OPTIONAL DRILL CHUCK

An optional drill chuck system is available for the Holemaker Pro 40, as pictured, giving the ability to use twist drills up to 13mm diameter. The drill chuck system replaces the entire Weldon arbor, allowing the full stroke of the machine to be utilised when using drill bits. Suitable for use with Jobber drills up to 10.0mm. Suitable for use with Stub drills up to 13.0mm.



Part No.	Description
SA70102	13mm Drill Chuck & Adaptor To Suit PRO 40

HOLEMAKER 40 ANGLE DRIVE LOW PROFILE ANGLE DRIVE DRILLING MACHINE

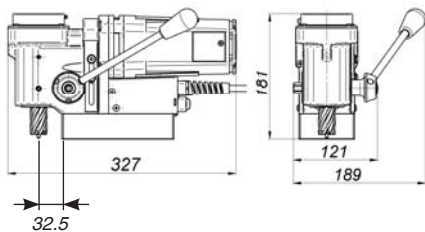


The Holemaker 40AD is a low profile angle drive machine providing a constant working height of 181mm.

The Holemaker 40AD utilises standard 3/4" shank Holemaker cutters up to 40mm diameter and 25mm depth, ensuring a wide range of cutters is always available. The feed handle can be easily changed to either side or removed for use with a socket wrench on the hex drive, and with the combination of a 181mm constant working height, this machine can work in areas most others cannot. This machine is ideal for working with truck chassis.

The remote pressure feed coolant system, supplies cutting fluid to the centre of the annular cutter even when the machine is positioned in vertical & horizontal positions.

*12mm twist drill capacity using Weldon Shank twist drill bits.



OPTIONAL ACCESSORIES
& CONSUMABLES



Holemaker Cutters - pg13



Weldon Shank Drills - pg21

Part No.	HM40AD
Capacity (Diameter)	40mm
Capacity (Depth)	25mm
Motor Power	1020 watt
Input Power	1100 watt Single Phase 240V
Speed	310rpm
Weight	11.1kg
Stroke	40mm
Magnetic Dead Lift	9500Nm On 25mm Steel Plate
Height (min / max)	181mm Constant Working Height

Through Spindle Coolant System

Smart Magnet Technology To Ensure Sufficient Magnetic Adhesion

Supplied In Metal Carry Case With Cutter Guard & Safety Strap

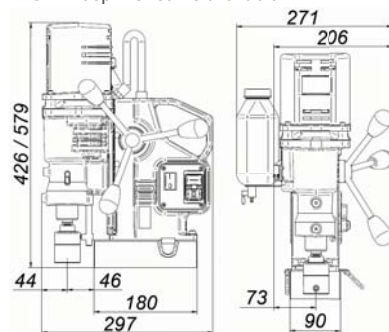
HOLEMAKER PRO 50 #2 MORSE TAPER, DURABLE MULTI-PURPOSE MACHINE



The ability to use Holemaker cutters, No. 2 Morse Taper shank drills & reamers, as well as a drill chuck makes this a very multi-purpose machine. Satisfying most requirements with a capacity of 52mm diameter & 75mm depth of cut when using Holemaker cutters, and 23mm diameter using taper shank drills or reamers. An industrial 2 speed gearbox and 1260w motor provide a strong hardworking machine. Other standard features include cast iron construction, gravity feed coolant system & left or right hand feed handle operation. The unique semi-automatic gib adjustment system enables simple, fast and always correct fine tuning without any expert knowledge or experience.

Suitable for steel fabrication, engineering workshops & maintenance facilities where a heavy duty versatile machine is highly beneficial.

Supplied complete with arbor for use with Holemaker cutters up to 52mm depth of cut. Optional arbor to take Holemaker cutters up to 75mm depth of cut is available.



OPTIONAL ACCESSORIES
& CONSUMABLES



Holemaker Cutters - pg13



Taper Shank Drills



Twist Drill Chuck - pg32

Part No.	HMPRO50 (With Grub Screw Arbor)
Part No.	HMPRO50QG (With Quick Grip Arbor)
Part No.	HMPRO50D (With 75mm Depth Capacity)
Capacity (Diameter)	52mm
Capacity (Depth)	75mm
Capacity (Twist Drill)	#2 Morse Taper 23mm
Motor Power	1260 watt
Input Power	1340 watt Single Phase 240V
Speed	2 speed 200 / 400rpm
Weight	16.5kg
Magnetic Dead Lift	12000Nm On 25mm Steel Plate
Stroke	153mm
Height (min / max)	426mm / 579mm

Through Spindle Coolant System

Smart Magnet Technology To Ensure Sufficient Magnetic Adhesion

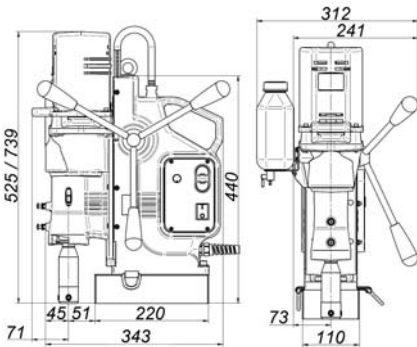
Supplied In Metal Carry Case With Cutter Guard & Safety Strap

HOLEMAKER PRO 75 #3 MORSE TAPER VARIABLE SPEED MACHINE



The Holemaker PRO 75 is a versatile, multi-purpose machine, equipped with a No. 3 Morse Taper spindle. The 2 speed gearbox with electronic variable speed, Electronic Speed Stabilization System (ESSS), and motor soft start feature makes this machine ideal for tapping up to M24. With a large cutting capacity of 75mm diameter and 110mm depth using Holemaker cutters, this machine will suffice for most holemaking requirements. Other standard features include gravity feed coolant system & left or right hand feed handle operation. The unique semi-automatic gib adjustment system enables simple, fast and always correct fine tuning without any expert knowledge or experience.

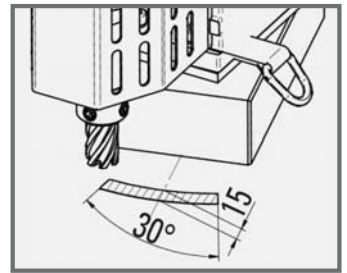
Supplied complete with arbor for use with Holemaker cutters up to 75mm depth of cut. Optional arbor to take Holemaker cutters up to 110mm depth of cut is available.



OPTIONAL ACCESSORIES & CONSUMABLES



HOLEMAKER PRO 75 SR AS PER PRO 75, WITH ADDITIONAL REVERSE AND SWIVEL BASE



The Holemaker Pro 75SR is as per the standard Holemaker Pro 75, but with the two additions of a swivel base system and jog reverse function. The swivel base system makes it easier to move the machine into the correct position for drilling.

Once the drill has been fixed to the workpiece with the magnet, it can then be moved back and forward 15mm, or swivelled left and right 30°, and is then fastened into position with one socket head bolt.

The combination of the variable speed, jog reverse function, and the swivel base system, makes this a very versatile machine that is ideal for tapping.

Part No.	Description
HMPRO75SR	Holemaker Pro 75 - With Swivel Base & Reverse

Tapping WITH THE HOLEMAKER PRO 75

The Holemaker Pro 75 makes difficult tapping jobs run smooth and easy. With the optional tapping head fitted, the Pro 75 will tap a maximum M20.

Features

- Protection against tap breakage ensured by an ultra sensitive and smooth multi-position operating ball-clutch.
- Forward and reverse ball drive design transmits rotational power to the tap and disengages smoothly and silently.
- Axial float ensures smooth tapping and better thread profile.
- Cushioned drive incorporating compression and extension, eliminates the possibility of cross threading during the tapping process, and ensures clean and accurate threads.
- A planetary gear reversing mechanism transmits smooth positive reverse to the tap retraction and it retracts 75% faster than it enters.
- Accurate depth control by means of it's precise neutral mechanism.



Specifications

- 20mm maximum tapping capacity
- 130mm stroke with tapping head fitted
- 168mm maximum length of tap

Part No.	HMPRO75
Capacity (Diameter)	75mm
Capacity (Depth)	110mm
Capacity (Twist Drill)	#3 Morse Taper 32mm
Motor Power	1650 watt
Input Power	1800 watt Single Phase 240V
Gearbox	2 Speed Gearbox With Electronic Variable Speed And Motor Soft Start Feature 80-160; 210-420rpm
Weight	27.0kg
Magnetic Dead Lift	19500Nm On 25mm Steel Plate
Stroke	214mm
Height (min / max)	525mm / 739mm
Through Spindle Coolant System	
Smart Magnet Technology To Ensure Sufficient Magnetic Adhesion	
Supplied In Metal Carry Case With Cutter Guard & Safety Strap	

Part No.	Description
SPTH103	8-20mm Tapping Head With #3 MT

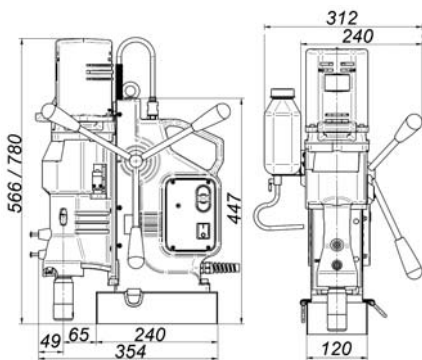
HOLEMAKER PRO 110 LARGE CAPACITY #4 MORSE TAPER HEAVY DUTY MACHINE



The Holemaker PRO 110 is an extra heavy duty, large capacity machine capable of producing burr-free holes up to 110mm diameter by 110mm depth. 1650w motor with 4-speed mechanical gearbox produces superb torque through gear reduction in low speeds. No. 4 Morse Taper spindle bore for use with taper shank drills, tapping head (M30 Capacity) and taper shank reamers.



Supplied complete with side mounted coolant system and arbor for use with 3/4" shank Holemaker cutters up to 75mm diameter and 75mm depth of cut. Optional arbor to take 1-1/4" shank cutters up to 110mm diameter and 110mm depth. 1100ml pressure feed coolant bottle available, recommended for use with large diameter and depth hole drilling.



OPTIONAL ACCESSORIES & CONSUMABLES



Holemaker Cutters - pg13



Taper Shank Drills



Twist Drill Chuck - pg32

Part No.	HMPRO110
Capacity (Diameter)	110mm
Capacity (Depth)	110mm
Capacity (Twist Drill)	#4 Morse Taper 47mm
Motor Power	1650 watt
Input Power	1800 watt Single Phase 240V
Gearbox	4 Speed Heavy Duty Mechanical Gearbox 85 / 135 / 160 / 250rpm
Weight	31.0kg
Magnetic Dead Lift	22000Nm On 25mm Steel Plate
Stroke	214mm
Height (min / max)	566mm / 780mm
Through Spindle Coolant System	
Smart Magnet Technology To Ensure Sufficient Magnetic Adhesion	
Supplied In Metal Carry Case With Cutter Guard & Safety Strap	

Large Holes WITH THE HOLEMAKER PRO 110

Holemaker annular cutters are available up to 75mm diameter with a standard 3/4" Weldon shank.

61mm to 150mm diameter cutters are available with a 1-1/4" shank, to help increase the strength of the cutter.

The Holemaker Pro 110 is supplied as standard with No. 4 Morse Taper arbor for use with 3/4" shank Holemaker cutters up to 75mm diameter and 75mm depth of cut.

Alternatively the Pro 110 can be ordered with a number of different No. 4 Morse Taper arbors, depending on your specific job requirements.



Part No.	Morse Taper	Maximum Depth Of Cut	To Suit Shank Size
SAIA4S	#4 MT	50mm	3/4"
SAIA4S-100	#4 MT	110mm	3/4"
SAIA4SW	#4 MT	50mm	1-1/4"
SAIA4SW-100	#4 MT	110mm	1-1/4"

For example, when drilling a 82mm diameter hole through 100mm solid steel, arbor part# SAIA4SW-100 would be used with a Holemaker Maxi-Cut Cutter part# MAX100-82B (see page 43)

When drilling large diameter or deep holes with the Holemaker Pro 110, the optional 1100ml pressure feed coolant tank is highly beneficial.

The pressure feed tank will increase the coolant flow to the centre of the cut, and will also allow for larger cuts to be completed, without having to re-fill the coolant tank during the cutting process.



Part No.	Description
SA-WPB	1100ml Pressure Feed Coolant Bottle

HOLEMAKER MAX 2X2 #2 MORSE TAPER, VERSATILE MULTI-PURPOSE MACHINE



Versatility is the hallmark of this machine. Holes up to 52mm diameter by 52mm depth can be produced quickly and efficiently using Holemaker cutters, and with the No. 2 Morse Taper it is just at home with a drill chuck and arbor or taper shank drills and reamers up to 23mm. Featuring a heavy duty 2 speed gear box and side mounted coolant system. This machine is perfectly suited to engineering workshops and maintenance facilities, where its versatility is most valuable.



HOLEMAKER MAX 3X3 #3 MORSE TAPER VARIABLE SPEED MACHINE

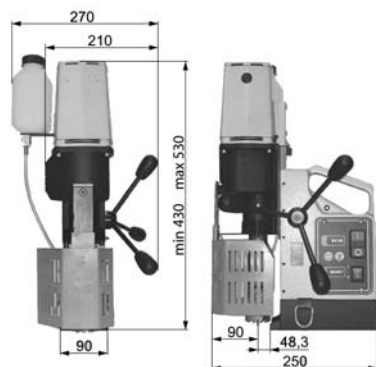


No. 3 Morse Taper drilling machine accepts Holemaker cutters, No. 3 Morse Taper drill bits, tapping head & reamers.

Two speed gearbox, electronic variable speed, soft start, and jog reverse function, makes this machine ideal for tapping. 75mm diameter x 75mm depth Holemaker cutter capacity. Side mounted coolant system. Optional 1100ml pressure feed coolant bottle available.



The Holemaker MAX 3X3 is also available with a swivel base system fitted, which allows 30° of movement left and right, and 15mm back and forward.



OPTIONAL ACCESSORIES & CONSUMABLES



Holemaker Cutters - pg13



Taper Shank Drills



Twist Drill Chuck - pg32



OPTIONAL ACCESSORIES & CONSUMABLES



Holemaker Cutters - pg13



Taper Shank Drills



Twist Drill Chuck - pg32



Tapping Head - pg34

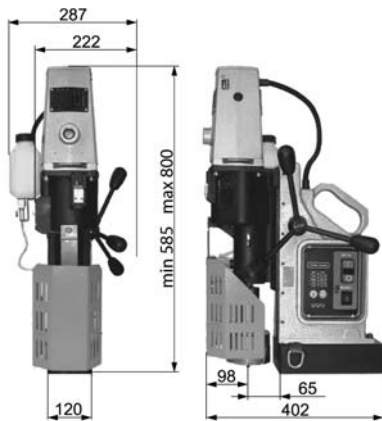
Part No.	SM2X2-MT2
Capacity (Diameter)	52mm
Capacity (Depth)	52mm
Capacity (Twist Drill)	#2 Morse Taper 23mm
Motor Power	1260 watt
Input Power	1340 watt single phase 240V
Gearbox	2 speed 210 / 420rpm
Weight	17.0kg
Stroke	100mm
Magnetic Dead Lift	12000Nm On 25mm Steel Plate
Height (min / max)	430mm / 530mm
Through Spindle Coolant System	
Smart Magnet Technology To Ensure Sufficient Magnetic Adhesion	
Supplied In Metal Carry Case With Cutter Guard & Safety Strap	

Part No.	SM3X3
Part No.	SM3X3SB (With Swivel Base Fitted)
Capacity (Diameter)	75mm
Capacity (Depth)	75mm
Capacity (Twist Drill)	#3 Morse Taper 32mm
Motor Power	1460 watt
Input Power	1570 watt Single Phase 240V
Gearbox	2 Speed Gearbox With Electronic Variable Speed And Motor Soft Start Feature 80-160; 160-320rpm
Weight	28.0kg
Stroke	215mm
Magnetic Dead Lift	19500Nm On 25mm Steel Plate
Height (min / max)	552mm / 767mm
Through Spindle Coolant System	
Smart Magnet Technology To Ensure Sufficient Magnetic Adhesion	
Supplied In Metal Carry Case With Cutter Guard & Safety Strap	

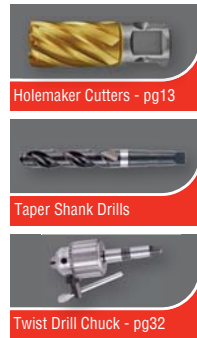
HOLEMAKER MAX 4X4 #3 MORSE TAPER LARGE CAPACITY MACHINE



The SM4X4 is capable of producing burr-free holes up to 110mm diameter and 100mm depth. 1800w motor with 4-speed mechanical gearbox produces superb torque through gear reduction in low speeds. No. 3 Morse Taper spindle bore for use with taper shank drills. Supplied complete with side mounted coolant system and arbor for use with 3/4" shank Holemaker cutters up to 75mm diameter by 75mm depth of cut. Optional arbor to take 1-1/4" shank cutters up to 110mm diameter by 100mm depth, 1100ml pressure feed coolant bottle available.



OPTIONAL ACCESSORIES & CONSUMABLES



Part No.	SM4X4
Capacity (Diameter)	110mm
Capacity (Depth)	100mm
Capacity (Twist Drill)	#3 Morse Taper 32mm
Motor Power	1800 watt
Input Power	1990 watt Single Phase 240V
Gearbox	4 Speed Heavy Duty Gearbox 100 / 150 / 200 / 310rpm
Weight	32.0kg
Stroke	215mm
Magnetic Dead Lift	22000Nm On 25mm Steel Plate
Height (min / max)	585mm / 800mm
Through Spindle Coolant System	
Smart Magnet Technology To Ensure Sufficient Magnetic Adhesion	
Supplied In Metal Carry Case With Cutter Guard & Safety Strap	

HOLEMAKER TAP 50 #5 MORSE TAPER LARGE CAPACITY MACHINE



The TAP 50 is a portable magnetic drilling machine with 200mm diameter drilling and M52 tapping capacity (with optional tapping head) TAP 50 has a 3.0kW single phase 240V motor. The spindle bore is No.5 Morse Taper. The TAP 50 is designed for special and challenging applications that no other portable magnetic drill has been able to solve before.

- Feed handles can be placed on the left or right sides of the machine
- Reversible
- Heavy duty dual rail slides provide rigidity and quick movement



Part No.	HMTAP50
Capacity (Diameter)	200mm
Capacity (Depth)	250mm
Capacity (Tapping)	52mm
Capacity (Twist Drill)	52mm
Motor Power	3000 watt
Input Power	Single Phase 240V
Gearbox	2 Speed Variable Gearbox 20-40 / 45-110
Weight	53.0kg
Stroke	265mm
Height (min / max)	710mm / 975mm

Tapping WITH THE HOLEMAKER TAP 50

With a variable speed gearbox going as low as 20rpm and reversing function, the Holemaker TAP 50 machine is well suited to tapping a large range of diameters. Used with the optional quick change chuck and tapping system (see pages 34 & 35) tapped holes can be achieved with ease.

The QASB tap collet, with factory set safety clutch to suit the specific tap size, clicks into the KTX tap adaptor that is held by the quick change master holder - providing for fast interchange of drill and tap sizes with no tooling required.



HOLEMAKER 35 PNEUMATIC PNEUMATIC POWERED LOW PROFILE ANGLE DRIVE MACHINE



The HMP35AD is a small portable pneumatic drilling machine which allows holes to be drilled up to 35mm diameter in places with restricted space, using standard 3/4" Weldon Shank cutters. This machine is the lowest height pneumatic magnetic drill currently available on the world market. The combination of pneumatic drive and permanent magnetic base eliminate the need for electric power supply thus making this machine an ideal solution in many hazardous environments such as oil drilling platforms, mining industry, shipbuilding or petrochemical industry.

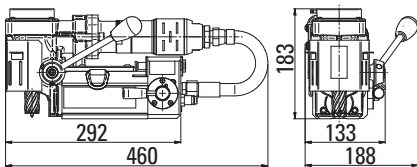
*12mm twist drill capacity using Weldon Shank twist drill bits.

HMP 35 AD

The compressed-air motor used in the HMP35AD drill is certified ATEX II2G/D C IIC T6;T4 and meets the requirements for use in areas with a risk of explosion.

HMP 35 AD-ATEX

Both the machine and the body of the HMP35AD-ATEX drill is certified ATEX II2G/D C IIC T6;T4 and meets the requirements for use in areas with a risk of explosion.



OPTIONAL ACCESSORIES & CONSUMABLES



Holemaker Cutters - pg13



Weldon Shank Drills - pg21

Part No.	HMP35AD
Part No.	HMP35AD-ATEX
Capacity (Diameter)	35mm
Capacity (Depth)	25mm
Motor	800 watt pneumatic, 1400L/min
Weight	13.0kg
Height	183mm Constant Working Height
Stroke	39mm
Magnetic Dead Lift	6500Nm On 25mm Steel Plate
Through Spindle Coolant System	
Supplied In Metal Carry Case With Cutter Guard & Safety Strap	

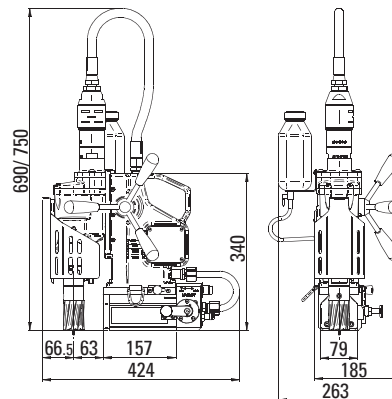
HOLEMAKER 45 PNEUMATIC #2 MORSE TAPER, VERSATILE MULTI-PURPOSE MACHINE



The HMP45 is a compact portable pneumatic powered drilling machine which allows hole cutting up to 45mm diameter and 52mm depth using Holemaker cutters. The No. 2 Morse Taper spindle allows a wide range of tooling to be used with the machine.

The combination of pneumatic drive and permanent magnetic base eliminate the need for electric power supply thus making this machine an ideal solution in many hazardous environments such as oil drilling platforms, mining industry, shipbuilding or petrochemical industry.

The compressed-air motor used in the HMP45 drill is certified ATEX II2G/D C IIC T6;T4 and meets the requirements for use in areas with a risk of explosion.



OPTIONAL ACCESSORIES & CONSUMABLES



Holemaker Cutters - pg13



Taper Shank Drills



Twist Drill Chuck - pg32

Part No.	HMP45
Capacity (Diameter)	45mm
Capacity (Depth)	52mm
Capacity (Twist Drill)	#2 Morse Taper 23mm
Motor Power	800 watt Pneumatic, 1400L/min
Speed	2 Speed 190 / 290rpm
Weight	19.0kg
Magnetic Dead Lift	7500Nm On 25mm Steel Plate
Height (min / max)	690mm / 750mm
Stroke	150mm
Through Spindle Coolant System	
Supplied In Metal Carry Case With Cutter Guard & Safety Strap	

HOLEMAKER PNEUMATIC PRO 200A ATEX #5 MORSE TAPER



The PRO200A is a new pneumatic portable magnetic drilling machine with 200mm diameter drilling and M52 tapping capacity.

The spindle bore is No.5 Morse Taper and the drill chuck is 1-1/4" Weldon. The PRO200A is a robust design built with modular construction and can be handled by a single operator.

Features:

- 2 speeds - ideal for drilling and tapping
- Integrated air processing module
- 2 x 14700Nm magnetic adhesion force
- Adaptive magnets, can work on curved or flat surfaces
- Integrated swarf guard
- Reverse



Both the machine and the body of the PRO200A drill is certified ATEX II2G/D C IIC T6;T4 and meets the requirements for use in areas with risk of explosion.

Part No.	HM-PRO200A
Capacity (Diameter)	200mm
Capacity (Tapping)	52mm
Motor Power	2000 Watt
Gearbox	2 Speed Gearbox Reversible 20 / 80rpm
Weight	130kg
Stroke	400mm
Magnetic Dead Lift	2 x 14700Nm

HOLEMAKER HYDRAULIC PRO 200H ATEX #5 MORSE TAPER



The PRO200H is a new hydraulic portable magnetic drilling machine with 200mm diameter drilling and M52 tapping capacity.

The spindle bore is No.5 Morse Taper and the drill chuck is 1-1/4" Weldon.

Features:

- 2 speeds - ideal for drilling and tapping
- Detachable parts - can be delivered and assembled on site
- Powerful drive
- Robust design
- Adaptive magnets - work on flat and curved surfaces
- Low noise
- Optional hydraulic pack or can be connected to existing lines
- Runs on hydraulic oil.
- Integrated swarf guard
- Reverse
- Magnet adhesion force - 2 x 14700Nm



Both the machine and the body of the PRO200H drill is certified ATEX II2G/D C IIC T6;T4 and meets the requirements for use in areas with risk of explosion.

Part No.	HM-PRO200H
Capacity (Diameter)	200mm
Capacity (Tapping)	52mm
Motor Power	2000 Watt
Gearbox	2 Speed Gearbox Reversible 22 / 90rpm
Weight	130kg
Stroke	400mm
Magnetic Dead Lift	2 x 14700Nm

CUTTER SELECTION GUIDE

Cutter Type	Features	Diameter Available	Cut Depth Available	Applications	Pg #
Silver Series Metric 	<ul style="list-style-type: none"> M2AL High Speed Steel Universal Shank Multi-Cut Geometry Step Hardened 	• 12 to 60mm Metric	• 25mm & 50mm	• General Purpose	14, 15
Silver Series Imperial 	<ul style="list-style-type: none"> M2AL High Speed Steel Multi-Cut Geometry Step Hardened 	• 7/16" to 2-1/4" Imperial	• 1", 2" & 3"	• General Purpose	16
Gold Series Metric 	<ul style="list-style-type: none"> M2AL High Speed Steel Titanium Nitride Coated Universal Shank Multi-Cut Geometry Step Hardened 	• 12 to 60mm Metric	• 25mm, 50mm & 75mm	• General Purpose	18, 19
Super-Cut M42 Cobalt 	<ul style="list-style-type: none"> M42 High Speed Steel 8% Cobalt Titanium Nitride Coated Made In U.S.A Multi-Cut Geometry 	• 1/2" to 1" Imperial	• 1"	• Truck Chassis • Hardened Steels	24
Super-Cut M42 Chassis 	<ul style="list-style-type: none"> Stack Ground Geometry M42 High Speed Steel 8% Cobalt Titanium Nitride Coated Made In U.S.A 	• 1/2" to 1" Imperial	• 1"	• Truck Chassis • Multi-Layered Steel	24
Super-Cut TiCN 	<ul style="list-style-type: none"> Titanium Carbon Nitride Coated Made In U.S.A M2 High Speed Steel Multi-Cut Geometry 	• 12 to 32mm Metric	• 25mm & 50mm	• Stainless Steel • Cast Iron	24
Pro-Cut 	<ul style="list-style-type: none"> ASP Powder Steel Multi-Cut Geometry Incredible Performance 	• 12 to 22mm Metric	• 25mm & 50mm	• Rail Line • Hard Materials • Stainless Steel • Wear Plate	25
Maxi-Rail 	<ul style="list-style-type: none"> Tungsten Carbide Tipped Increased Resistance to Breakage Multi-Cut Geometry 	• 18 to 35mm Metric	• 25mm	• Rail Line • Hard Materials • Wear Plate	25
Maxi-Cut 	<ul style="list-style-type: none"> Tungsten Carbide Tipped Increased Resistance to Breakage Multi-Cut Geometry 	<ul style="list-style-type: none"> 12 to 150mm Metric 5/8" to 2-3/8" Imperial 	• 35mm, 50mm, 75mm 100mm & 150mm	• Large Diameters • Stainless Steel • Hard Materials • Wear Plate	26, 27, 28, 29, 30

Note: see product pages for exact sizes available

SILVER SERIES METRIC CUTTERS

M2AL HIGH SPEED STEEL MATERIAL

M2AL high speed steel is a high alloy material with a hardness of up to 67.5 HRC, designed for increased endurance of the cutting edge and tool life.

STEP HARDENED PROCESS

This state of the art manufacturing process produces cutters with extremely hard tooth tips for increased cutter performance, while maintaining a softer body which is less susceptible to breakage than standard high speed steel cutters.

MULTI-CUT GEOMETRY

Provides smooth and fast cutting, with decreased chatter. This also increases the cutters ability to remove swarf away from the cut, and helps to enhance centring.

FULLY GROUND WITH INTERNAL RELIEF

This feature allows Holemaker cutters to produce reamed quality, burr-free holes, and also helps to reduce torque and horsepower requirements.

UNIVERSAL SHANK

19.05mm (3/4") universal shank for cutters up to and including 60mm diameter. Featuring 2 flat sections to suit most magnetic base drilling machines.

Cutters of diameters 61mm and above feature a 31.75mm, 1-1/4" Weldon shank.



METRIC SILVER 25MM DEPTH OF CUT



Part No.	Diameter	Depth Of Cut	Pilot Pin Diameter	Shank Diameter
AS1225	12mm	25mm	6.34mm	3/4" (19.05mm)
AS1325	13mm	25mm	6.34mm	3/4" (19.05mm)
AS1425	14mm	25mm	6.34mm	3/4" (19.05mm)
AS1525	15mm	25mm	6.34mm	3/4" (19.05mm)
AS1625	16mm	25mm	6.34mm	3/4" (19.05mm)
AS1725	17mm	25mm	6.34mm	3/4" (19.05mm)
AS1825	18mm	25mm	6.34mm	3/4" (19.05mm)
AS1925	19mm	25mm	6.34mm	3/4" (19.05mm)
AS2025	20mm	25mm	6.34mm	3/4" (19.05mm)
AS2125	21mm	25mm	6.34mm	3/4" (19.05mm)
AS2225	22mm	25mm	6.34mm	3/4" (19.05mm)
AS2325	23mm	25mm	6.34mm	3/4" (19.05mm)
AS2425	24mm	25mm	6.34mm	3/4" (19.05mm)
AS2525	25mm	25mm	6.34mm	3/4" (19.05mm)
AS2625	26mm	25mm	6.34mm	3/4" (19.05mm)
AS2725	27mm	25mm	6.34mm	3/4" (19.05mm)
AS2825	28mm	25mm	6.34mm	3/4" (19.05mm)
AS2925	29mm	25mm	6.34mm	3/4" (19.05mm)
AS3025	30mm	25mm	6.34mm	3/4" (19.05mm)
AS3125	31mm	25mm	6.34mm	3/4" (19.05mm)
AS3225	32mm	25mm	6.34mm	3/4" (19.05mm)
AS3325	33mm	25mm	6.34mm	3/4" (19.05mm)
AS3425	34mm	25mm	6.34mm	3/4" (19.05mm)
AS3525	35mm	25mm	6.34mm	3/4" (19.05mm)
AS3625	36mm	25mm	6.34mm	3/4" (19.05mm)
AS3725	37mm	25mm	6.34mm	3/4" (19.05mm)
AS3825	38mm	25mm	6.34mm	3/4" (19.05mm)
AS3925	39mm	25mm	6.34mm	3/4" (19.05mm)
AS4025	40mm	25mm	6.34mm	3/4" (19.05mm)
AS4125	41mm	25mm	6.34mm	3/4" (19.05mm)
AS4225	42mm	25mm	6.34mm	3/4" (19.05mm)
AS4325	43mm	25mm	6.34mm	3/4" (19.05mm)
AS4425	44mm	25mm	6.34mm	3/4" (19.05mm)
AS4525	45mm	25mm	6.34mm	3/4" (19.05mm)
AS4625	46mm	25mm	6.34mm	3/4" (19.05mm)
AS4725	47mm	25mm	6.34mm	3/4" (19.05mm)
AS4825	48mm	25mm	6.34mm	3/4" (19.05mm)
AS4925	49mm	25mm	6.34mm	3/4" (19.05mm)
AS5025	50mm	25mm	6.34mm	3/4" (19.05mm)
AS5125	51mm	25mm	6.34mm	3/4" (19.05mm)
AS5225	52mm	25mm	6.34mm	3/4" (19.05mm)

6.34mm Pilot Pin to suit - Part# SP16003

METRIC SILVER 50MM DEPTH OF CUT



Part No.	Diameter	Depth Of Cut	Pilot Pin Diameter	Shank Diameter
AS1250	12mm	50mm	6.34mm	3/4" (19.05mm)
AS1350	13mm	50mm	6.34mm	3/4" (19.05mm)
AS1450	14mm	50mm	6.34mm	3/4" (19.05mm)
AS1550	15mm	50mm	6.34mm	3/4" (19.05mm)
AS1650	16mm	50mm	6.34mm	3/4" (19.05mm)
AS1750	17mm	50mm	6.34mm	3/4" (19.05mm)
AS1850	18mm	50mm	6.34mm	3/4" (19.05mm)
AS1950	19mm	50mm	6.34mm	3/4" (19.05mm)
AS2050	20mm	50mm	6.34mm	3/4" (19.05mm)
AS2150	21mm	50mm	6.34mm	3/4" (19.05mm)
AS2250	22mm	50mm	6.34mm	3/4" (19.05mm)
AS2350	23mm	50mm	6.34mm	3/4" (19.05mm)
AS2450	24mm	50mm	6.34mm	3/4" (19.05mm)
AS2550	25mm	50mm	6.34mm	3/4" (19.05mm)
AS2650	26mm	50mm	6.34mm	3/4" (19.05mm)
AS2750	27mm	50mm	6.34mm	3/4" (19.05mm)
AS2850	28mm	50mm	6.34mm	3/4" (19.05mm)
AS2950	29mm	50mm	6.34mm	3/4" (19.05mm)
AS3050	30mm	50mm	6.34mm	3/4" (19.05mm)
AS3150	31mm	50mm	6.34mm	3/4" (19.05mm)
AS3250	32mm	50mm	6.34mm	3/4" (19.05mm)
AS3350	33mm	50mm	6.34mm	3/4" (19.05mm)
AS3450	34mm	50mm	6.34mm	3/4" (19.05mm)
AS3550	35mm	50mm	6.34mm	3/4" (19.05mm)
AS3650	36mm	50mm	6.34mm	3/4" (19.05mm)
AS3750	37mm	50mm	6.34mm	3/4" (19.05mm)
AS3850	38mm	50mm	6.34mm	3/4" (19.05mm)
AS3950	39mm	50mm	6.34mm	3/4" (19.05mm)
AS4050	40mm	50mm	6.34mm	3/4" (19.05mm)
AS4150	41mm	50mm	6.34mm	3/4" (19.05mm)
AS4250	42mm	50mm	6.34mm	3/4" (19.05mm)
AS4350	43mm	50mm	6.34mm	3/4" (19.05mm)
AS4450	44mm	50mm	6.34mm	3/4" (19.05mm)
AS4550	45mm	50mm	6.34mm	3/4" (19.05mm)
AS4650	46mm	50mm	6.34mm	3/4" (19.05mm)
AS4750	47mm	50mm	6.34mm	3/4" (19.05mm)
AS4850	48mm	50mm	6.34mm	3/4" (19.05mm)
AS4950	49mm	50mm	6.34mm	3/4" (19.05mm)
AS5050	50mm	50mm	6.34mm	3/4" (19.05mm)
AS5150	51mm	50mm	6.34mm	3/4" (19.05mm)
AS5250	52mm	50mm	6.34mm	3/4" (19.05mm)
AS5550	55mm	50mm	6.34mm	3/4" (19.05mm)
AS5950	59mm	50mm	6.34mm	3/4" (19.05mm)
AS6050	60mm	50mm	6.34mm	3/4" (19.05mm)

6.34mm Pilot Pin to suit - Part# SP16004

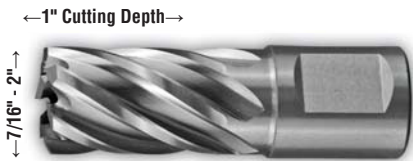
Part No.	Diameter	Depth Of Cut	Pilot Pin Diameter	Shank Diameter
AS6150	61mm	50mm	6.34mm	1-1/4" (31.75mm)
AS6250	62mm	50mm	6.34mm	1-1/4" (31.75mm)
AS6350	63mm	50mm	6.34mm	1-1/4" (31.75mm)
AS6450	64mm	50mm	6.34mm	1-1/4" (31.75mm)
AS6550	65mm	50mm	6.34mm	1-1/4" (31.75mm)

6.34mm Pilot Pin to suit - Part# SP16008

SILVER SERIES IMPERIAL CUTTERS

- M2AL high speed steel material
- Step hardened process
- Multi-cut geometry
- Fully ground with internal relief

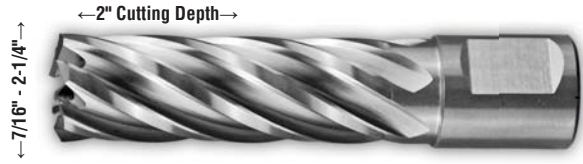
IMPERIAL SILVER 1" DEPTH OF CUT



Part No.	Diameter	Depth Of Cut	Pilot Pin Diameter	Shank Diameter
HM7/16X1	7/16"	1"	4.70mm	3/4" (19.05mm)
HM1/2X1	1/2"	1"	6.34mm	3/4" (19.05mm)
HM9/16X1	9/16"	1"	6.34mm	3/4" (19.05mm)
HM5/8X1	5/8"	1"	6.34mm	3/4" (19.05mm)
HM11/16X1	11/16"	1"	6.34mm	3/4" (19.05mm)
HM3/4X1	3/4"	1"	6.34mm	3/4" (19.05mm)
HM13/16X1	13/16"	1"	6.34mm	3/4" (19.05mm)
HM7/8X1	7/8"	1"	6.34mm	3/4" (19.05mm)
HM15/16X1	15/16"	1"	6.34mm	3/4" (19.05mm)
HM1X1	1"	1"	6.34mm	3/4" (19.05mm)
HM1-1/8X1	1-1/8"	1"	6.34mm	3/4" (19.05mm)
HM1-3/16X1	1-3/16"	1"	6.34mm	3/4" (19.05mm)
HM1-1/4X1	1-1/4"	1"	6.34mm	3/4" (19.05mm)
HM1-5/16X1	1-5/16"	1"	6.34mm	3/4" (19.05mm)
HM1-3/8X1	1-3/8"	1"	6.34mm	3/4" (19.05mm)
HM1-1/2X1	1-1/2"	1"	6.34mm	3/4" (19.05mm)
HM1-5/8X1	1-5/8"	1"	6.34mm	3/4" (19.05mm)
HM1-3/4X1	1-3/4"	1"	6.34mm	3/4" (19.05mm)
HM1-7/8X1	1-7/8"	1"	6.34mm	3/4" (19.05mm)
HM2X1	2"	1"	6.34mm	3/4" (19.05mm)

4.70mm Pilot Pin to suit - Part# SP16001
6.34mm Pilot Pin to suit - Part# SP16003

IMPERIAL SILVER 2" DEPTH OF CUT



Part No.	Diameter	Depth Of Cut	Pilot Pin Diameter	Shank Diameter
HM27/64X2	27/64"	2"	4.70mm	3/4" (19.05mm)
HM7/16X2	7/16"	2"	4.70mm	3/4" (19.05mm)
HM1/2X2	1/2"	2"	6.34mm	3/4" (19.05mm)
HM9/16X2	9/16"	2"	6.34mm	3/4" (19.05mm)
HM5/8X2	5/8"	2"	6.34mm	3/4" (19.05mm)
HM11/16X2	11/16"	2"	6.34mm	3/4" (19.05mm)
HM3/4X2	3/4"	2"	6.34mm	3/4" (19.05mm)
HM13/16X2	13/16"	2"	6.34mm	3/4" (19.05mm)
HM7/8X2	7/8"	2"	6.34mm	3/4" (19.05mm)
HM15/16X2	15/16"	2"	6.34mm	3/4" (19.05mm)
HM1X2	1"	2"	6.34mm	3/4" (19.05mm)
HM1-1/8X2	1-1/8"	2"	6.34mm	3/4" (19.05mm)
HM1-3/16X2	1-3/16"	2"	6.34mm	3/4" (19.05mm)
HM1-1/4X2	1-1/4"	2"	6.34mm	3/4" (19.05mm)
HM1-5/16X2	1-5/16"	2"	6.34mm	3/4" (19.05mm)
HM1-3/8X2	1-3/8"	2"	6.34mm	3/4" (19.05mm)
HM1-1/2X2	1-1/2"	2"	6.34mm	3/4" (19.05mm)
HM1-5/8X2	1-5/8"	2"	6.34mm	3/4" (19.05mm)
HM1-3/4X2	1-3/4"	2"	6.34mm	3/4" (19.05mm)
HM1-7/8X2	1-7/8"	2"	6.34mm	3/4" (19.05mm)
HM2X2	2"	2"	6.34mm	3/4" (19.05mm)
HM2-1/16X2	2-1/16"	2"	6.34mm	3/4" (19.05mm)
HM2-1/8X2	2-1/8"	2"	6.34mm	3/4" (19.05mm)
HM2-1/4X2	2-1/4"	2"	6.34mm	3/4" (19.05mm)

4.70mm Pilot Pin to suit - Part# SP16002
6.34mm Pilot Pin to suit - Part# SP16004

SILVER SERIES CUTTER SETS



PART NO. ASSET-A | SHORT SERIES METRIC SET - 5 CUTTERS

Quantity	Part No.	Diameter	Depth Of Cut
1	AS1425	14mm	25mm
1	AS1625	16mm	25mm
1	AS1825	18mm	25mm
1	AS2025	20mm	25mm
1	AS2225	22mm	25mm

PART NO. ASSET-B | SHORT SERIES METRIC SET - 10 CUTTERS

1	AS1225	12mm	25mm
1	AS1325	13mm	25mm
1	AS1425	14mm	25mm
1	AS1625	16mm	25mm
1	AS1725	17mm	25mm
1	AS1825	18mm	25mm
1	AS2025	20mm	25mm
1	AS2225	22mm	25mm
1	AS2425	24mm	25mm
1	AS2625	26mm	25mm

PART NO. ASSET-C | LONG SERIES METRIC SET - 5 CUTTERS

1	AS1450	14mm	50mm
1	AS1650	16mm	50mm
1	AS1850	18mm	50mm
1	AS2050	20mm	50mm
1	AS2250	22mm	50mm

All Sets Include Pilot Pins

PART NO. ASSET-D | COMBINATION METRIC SET - 10 CUTTERS

Quantity	Part No.	Diameter	Depth Of Cut
1	AS1425	14mm	25mm
1	AS1625	16mm	25mm
1	AS1825	18mm	25mm
1	AS2025	20mm	25mm
1	AS2225	22mm	25mm
1	AS1450	14mm	50mm
1	AS1650	16mm	50mm
1	AS1850	18mm	50mm
1	AS2050	20mm	50mm
1	AS2250	22mm	50mm

PART NO. HMSET-E | SHORT SERIES IMPERIAL SET - 5 CUTTERS

1	HM1/2X1	1/2"	1"
1	HM5/8X1	5/8"	1"
1	HM3/4X1	3/4"	1"
1	HM7/8X1	7/8"	1"
1	HM1X1	1"	1"

PART NO. HMSET-F | COMBINATION IMPERIAL SET - 10 CUTTERS

1	HM1/2X1	1/2"	1"
1	HM5/8X1	5/8"	1"
1	HM3/4X1	3/4"	1"
1	HM7/8X1	7/8"	1"
1	HM1X1	1"	1"
1	HM1/2X2	1/2"	2"
1	HM5/8X2	5/8"	2"
1	HM3/4X2	3/4"	2"
1	HM7/8X2	7/8"	2"
1	HM1X2	1"	2"

PART NO. ASSET-G | SHORT SERIES METRIC SET - 6 CUTTERS

1	AS1325	13mm	25mm
1	AS1425	14mm	25mm
1	AS1625	16mm	25mm
1	AS1825	18mm	25mm
1	AS2225	22mm	25mm
1	AS2625	26mm	25mm

PART NO. ASSET-K | LONG SERIES METRIC SET - 6 CUTTERS

1	AS1350	13mm	50mm
1	AS1450	14mm	50mm
1	AS1650	16mm	50mm
1	AS1850	18mm	50mm
1	AS2250	22mm	50mm
1	AS2650	26mm	50mm

PART NO. ASSET-Z | SHORT SERIES METRIC SET - 3 CUTTERS

1	AS1425	14mm	25mm
1	AS1825	18mm	25mm
1	AS2225	22mm	25mm



GOLD SERIES METRIC CUTTERS

TITANIUM NITRIDE COATING

The titanium nitride coating significantly increases the tool life by providing the following benefits:

- Increased surface hardness to 85HRC
- Ceramic surface, reducing friction by up to 30%
- Especially resistant to cold welding
- Suitable for cutting a wide range of materials

M2AL HIGH SPEED STEEL MATERIAL

M2AL high speed steel is a high alloy material with a hardness of up to 67.5 HRC, designed for increased endurance of the cutting edge and tool life.

STEP HARDENED PROCESS

This state of the art manufacturing process produces cutters with extremely hard tooth tips for increased cutter performance, while maintaining a softer body which is less susceptible to breakage than standard high speed steel cutters.

MULTI-CUT GEOMETRY

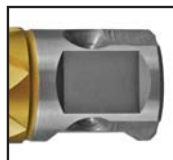
Provides smooth and fast cutting, with decreased chatter. This also increases the cutters ability to remove swarf away from the cut, and helps to enhance centring.

FULLY GROUND WITH INTERNAL RELIEF

This feature allows Holemaker cutters to produce reamed quality, burr-free holes, and also helps to reduce torque and horsepower requirements.

UNIVERSAL SHANK

19.05mm (3/4") universal shank with 2 flat sections to suit most magnetic base drilling machines.



METRIC GOLD 25MM DEPTH OF CUT

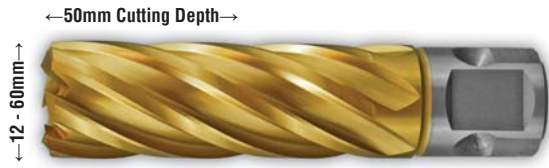


Part No.	Diameter	Depth Of Cut	Pilot Pin Diameter	Shank Diameter
AT1425A	14mm	25mm	4.70mm	3/4" (19.05mm)
AT1225	12mm	25mm	6.34mm	3/4" (19.05mm)
AT1325	13mm	25mm	6.34mm	3/4" (19.05mm)
AT1425	14mm	25mm	6.34mm	3/4" (19.05mm)
AT1525	15mm	25mm	6.34mm	3/4" (19.05mm)
AT1625	16mm	25mm	6.34mm	3/4" (19.05mm)
AT16.525	16.5mm	25mm	6.34mm	3/4" (19.05mm)
AT1725	17mm	25mm	6.34mm	3/4" (19.05mm)
AT1825	18mm	25mm	6.34mm	3/4" (19.05mm)
AT1925	19mm	25mm	6.34mm	3/4" (19.05mm)
AT2025	20mm	25mm	6.34mm	3/4" (19.05mm)
AT2125	21mm	25mm	6.34mm	3/4" (19.05mm)
AT2225	22mm	25mm	6.34mm	3/4" (19.05mm)
AT2325	23mm	25mm	6.34mm	3/4" (19.05mm)
AT2425	24mm	25mm	6.34mm	3/4" (19.05mm)
AT2525	25mm	25mm	6.34mm	3/4" (19.05mm)
AT2625	26mm	25mm	6.34mm	3/4" (19.05mm)
AT2725	27mm	25mm	6.34mm	3/4" (19.05mm)
AT2825	28mm	25mm	6.34mm	3/4" (19.05mm)
AT2925	29mm	25mm	6.34mm	3/4" (19.05mm)
AT3025	30mm	25mm	6.34mm	3/4" (19.05mm)
AT3125	31mm	25mm	6.34mm	3/4" (19.05mm)
AT3225	32mm	25mm	6.34mm	3/4" (19.05mm)
AT3325	33mm	25mm	6.34mm	3/4" (19.05mm)
AT3425	34mm	25mm	6.34mm	3/4" (19.05mm)
AT3525	35mm	25mm	6.34mm	3/4" (19.05mm)
AT3625	36mm	25mm	6.34mm	3/4" (19.05mm)
AT3725	37mm	25mm	6.34mm	3/4" (19.05mm)
AT3825	38mm	25mm	6.34mm	3/4" (19.05mm)
AT3925	39mm	25mm	6.34mm	3/4" (19.05mm)
AT4025	40mm	25mm	6.34mm	3/4" (19.05mm)
AT4125	41mm	25mm	6.34mm	3/4" (19.05mm)
AT4225	42mm	25mm	6.34mm	3/4" (19.05mm)
AT4325	43mm	25mm	6.34mm	3/4" (19.05mm)
AT4425	44mm	25mm	6.34mm	3/4" (19.05mm)
AT4525	45mm	25mm	6.34mm	3/4" (19.05mm)
AT4625	46mm	25mm	6.34mm	3/4" (19.05mm)
AT4725	47mm	25mm	6.34mm	3/4" (19.05mm)
AT4825	48mm	25mm	6.34mm	3/4" (19.05mm)
AT4925	49mm	25mm	6.34mm	3/4" (19.05mm)
AT5025	50mm	25mm	6.34mm	3/4" (19.05mm)
AT5125	51mm	25mm	6.34mm	3/4" (19.05mm)
AT5225	52mm	25mm	6.34mm	3/4" (19.05mm)

4.70mm Pilot Pin to suit - Part# SP16001

6.34mm Pilot Pin to suit - Part# SP16003

METRIC GOLD 50MM DEPTH OF CUT



Part No.	Diameter	Depth Of Cut	Pilot Pin Diameter	Shank Diameter
AT1250	12mm	50mm	6.34mm	3/4" (19.05mm)
AT1350	13mm	50mm	6.34mm	3/4" (19.05mm)
AT1450	14mm	50mm	6.34mm	3/4" (19.05mm)
AT1550	15mm	50mm	6.34mm	3/4" (19.05mm)
AT1650	16mm	50mm	6.34mm	3/4" (19.05mm)
AT16.550	16.5mm	50mm	6.34mm	3/4" (19.05mm)
AT1750	17mm	50mm	6.34mm	3/4" (19.05mm)
AT1850	18mm	50mm	6.34mm	3/4" (19.05mm)
AT1950	19mm	50mm	6.34mm	3/4" (19.05mm)
AT2050	20mm	50mm	6.34mm	3/4" (19.05mm)
AT2150	21mm	50mm	6.34mm	3/4" (19.05mm)
AT2250	22mm	50mm	6.34mm	3/4" (19.05mm)
AT2350	23mm	50mm	6.34mm	3/4" (19.05mm)
AT2450	24mm	50mm	6.34mm	3/4" (19.05mm)
AT2550	25mm	50mm	6.34mm	3/4" (19.05mm)
AT2650	26mm	50mm	6.34mm	3/4" (19.05mm)
AT2750	27mm	50mm	6.34mm	3/4" (19.05mm)
AT2850	28mm	50mm	6.34mm	3/4" (19.05mm)
AT2950	29mm	50mm	6.34mm	3/4" (19.05mm)
AT3050	30mm	50mm	6.34mm	3/4" (19.05mm)
AT3150	31mm	50mm	6.34mm	3/4" (19.05mm)
AT3250	32mm	50mm	6.34mm	3/4" (19.05mm)
AT3350	33mm	50mm	6.34mm	3/4" (19.05mm)
AT3450	34mm	50mm	6.34mm	3/4" (19.05mm)
AT3550	35mm	50mm	6.34mm	3/4" (19.05mm)
AT3650	36mm	50mm	6.34mm	3/4" (19.05mm)
AT3750	37mm	50mm	6.34mm	3/4" (19.05mm)
AT3850	38mm	50mm	6.34mm	3/4" (19.05mm)
AT3950	39mm	50mm	6.34mm	3/4" (19.05mm)
AT4050	40mm	50mm	6.34mm	3/4" (19.05mm)
AT4150	41mm	50mm	6.34mm	3/4" (19.05mm)
AT4250	42mm	50mm	6.34mm	3/4" (19.05mm)
AT4350	43mm	50mm	6.34mm	3/4" (19.05mm)
AT4450	44mm	50mm	6.34mm	3/4" (19.05mm)
AT4550	45mm	50mm	6.34mm	3/4" (19.05mm)
AT4650	46mm	50mm	6.34mm	3/4" (19.05mm)
AT4750	47mm	50mm	6.34mm	3/4" (19.05mm)
AT4850	48mm	50mm	6.34mm	3/4" (19.05mm)
AT4950	49mm	50mm	6.34mm	3/4" (19.05mm)
AT5050	50mm	50mm	6.34mm	3/4" (19.05mm)
AT5150	51mm	50mm	6.34mm	3/4" (19.05mm)
AT5250	52mm	50mm	6.34mm	3/4" (19.05mm)
AT5550	55mm	50mm	6.34mm	3/4" (19.05mm)
AT5950	59mm	50mm	6.34mm	3/4" (19.05mm)
AT6050	60mm	50mm	6.34mm	3/4" (19.05mm)

6.34mm Pilot Pin to suit - Part# SP16004

METRIC GOLD 75MM DEPTH OF CUT



Part No.	Diameter	Depth Of Cut	Pilot Pin Diameter	Shank Diameter
AT1875	18mm	75mm	8mm	3/4" (19.05mm)
AT1975	19mm	75mm	8mm	3/4" (19.05mm)
AT2075	20mm	75mm	8mm	3/4" (19.05mm)
AT2175	21mm	75mm	8mm	3/4" (19.05mm)
AT2275	22mm	75mm	8mm	3/4" (19.05mm)
AT2375	23mm	75mm	8mm	3/4" (19.05mm)
AT2475	24mm	75mm	8mm	3/4" (19.05mm)
AT2575	25mm	75mm	8mm	3/4" (19.05mm)
AT2675	26mm	75mm	8mm	3/4" (19.05mm)
AT2775	27mm	75mm	8mm	3/4" (19.05mm)
AT2875	28mm	75mm	8mm	3/4" (19.05mm)
AT2975	29mm	75mm	8mm	3/4" (19.05mm)
AT3075	30mm	75mm	8mm	3/4" (19.05mm)
AT3175	31mm	75mm	8mm	3/4" (19.05mm)
AT3275	32mm	75mm	8mm	3/4" (19.05mm)

8mm Pilot Pin to suit - Part# SP18075

GOLD SERIES CUTTER SETS



PART NO. ATSET-A | SHORT SERIES METRIC SET - 5 CUTTERS

Quantity	Part No.	Diameter	Depth Of Cut
1	AT1425	14mm	25mm
1	AT1625	16mm	25mm
1	AT1825	18mm	25mm
1	AT2025	20mm	25mm
1	AT2225	22mm	25mm

PART NO. ATSET-B | SHORT SERIES METRIC SET - 10 CUTTERS

1	AT1225	12mm	25mm
1	AT1325	13mm	25mm
1	AT1425	14mm	25mm
1	AT1625	16mm	25mm
1	AT1725	17mm	25mm
1	AT1825	18mm	25mm
1	AT2025	20mm	25mm
1	AT2225	22mm	25mm
1	AT2425	24mm	25mm
1	AT2625	26mm	25mm

PART NO. ATSET-C | LONG SERIES METRIC SET - 5 CUTTERS

1	AT1450	14mm	50mm
1	AT1650	16mm	50mm
1	AT1850	18mm	50mm
1	AT2050	20mm	50mm
1	AT2250	22mm	50mm

All Sets Include Pilot Pins

PART NO. ATSET-D | COMBINATION METRIC SET - 10 CUTTERS

Quantity	Part No.	Diameter	Depth Of Cut
1	AT1425	14mm	25mm
1	AT1625	16mm	25mm
1	AT1825	18mm	25mm
1	AT2025	20mm	25mm
1	AT2225	22mm	25mm
1	AT1450	14mm	50mm
1	AT1650	16mm	50mm
1	AT1850	18mm	50mm
1	AT2050	20mm	50mm
1	AT2250	22mm	50mm

PART NO. ATSET-G | SHORT SERIES METRIC SET - 6 CUTTERS

1	AT1325	13mm	25mm
1	AT1425	14mm	25mm
1	AT1625	16mm	25mm
1	AT1825	18mm	25mm
1	AT2225	22mm	25mm
1	AT2625	26mm	25mm

PART NO. ATSET-K | LONG SERIES METRIC SET - 6 CUTTERS

1	AT1350	13mm	50mm
1	AT1450	14mm	50mm
1	AT1650	16mm	50mm
1	AT1850	18mm	50mm
1	AT2250	22mm	50mm
1	AT2650	26mm	50mm

CENTURAIL INDEXABLE INSERT DRILLS

- Solid rail cutter utilising 'SPMG' indexable carbide inserts providing high performance drilling through hard materials
- 3/4" Weldon Shank for use with Holemaker drills
- Internal coolant supply
- Ability to drill blind holes



Part No.	Diameter	Depth Of Cut	Insert Size
TSD-18	18mm	30mm	6mm
TSD-20	20mm	30mm	6mm
TSD-22	22mm	30mm	8mm
TSD-24	24mm	30mm	8mm
TSD-25	25mm	30mm	8mm
TSD-26	26mm	30mm	8mm
TSD-30	30mm	30mm	10mm
TSD-32	32mm	30mm	10mm
TSD-34	34mm	30mm	10mm
TSD-36	36mm	30mm	11.5mm

COMBINATION DRILL TAP

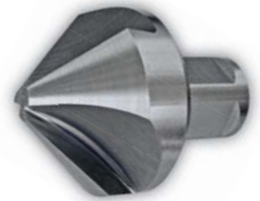
- Cobalt high speed steel (M35)
- 19.05mm (3/4") universal shank
- Maximum material thickness 10mm
- Will not give full thread depth so maximum torque strength cannot be applied



Part No.	Diameter	Drill Diameter	Overall Length
HMDT06	M6 X 1.0	5mm	110mm
HMDT08	M8 X 1.25	6.8mm	110mm
HMDT10	M10 X 1.5	8.5mm	113mm
HMDT12	M12 X 1.75	10.2mm	117mm
HMDT14	M14 X 2.0	12mm	117mm
HMDT16	M16 X 2.0	14mm	117mm
HMDT18	M18 X 2.5	16.5mm	130mm
HMDT20	M20 X 2.5	17.5mm	135mm
HMDT22	M22 X 2.5	19.5mm	135mm
HMDT24	M24 X 3.0	21.5mm	148mm
HMDT27	M27 X 3.0	24mm	155mm
HMDT30	M30 X 3.5	26.5mm	169mm

COUNTERSINKS

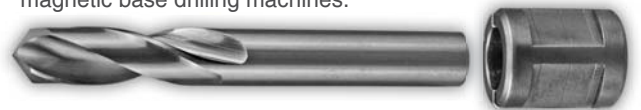
- With 3/4" Weldon Shank for use in magnetic base drilling machines
- 3 flute high speed steel



Part No.	Size Maximum	Angle	Shank Diameter
SCS90/30	30mm	90°	3/4" (19.05mm)
SCS90/40	40mm	90°	3/4" (19.05mm)
SCS90/55	55mm	90°	3/4" (19.05mm)

TWIST DRILLS & ADAPTORS

Adaptors allow the use of standard stub or jobber drills in magnetic base drilling machines.



Part No.	Diameter	Part No.	Diameter
ADAPTORS		DRILL BITS	
METRIC			
SPTDA-6	6mm	SPTD-6	6mm
SPTDA-8	8mm	SPTD-8	8mm
SPTDA-10	10mm	SPTD-10	10mm
SPTDA-12	12mm	SPTD-12	12mm
IMPERIAL			
SPTDA-1/4	1/4"	SPTD-1/4	1/4"
SPTDA-5/16	5/16"	SPTD-5/16	5/16"
SPTDA-3/8	3/8"	SPTD-3/8	3/8"
SPTDA-7/16	7/16"	SPTD-7/16	7/16"
SPTDA-1/2	1/2"	SPTD-1/2	1/2"

TWIST DRILLS - WELDON SHANK

- 3/4" Weldon Shank for use in magnetic base drilling machines
- Designed to utilise through spindle coolant system, to provide coolant to the cutting edge



Part No.	Diameter	Depth Of Cut	Shank Size
METRIC			
SPTSD-06	6mm	30mm	3/4" (19.05mm)
SPTSD-08	8mm	30mm	3/4" (19.05mm)
SPTSD-10	10mm	30mm	3/4" (19.05mm)
SPTSD-12	12mm	30mm	3/4" (19.05mm)
SPTSD-13	13mm	30mm	3/4" (19.05mm)
SPTSD-16	16mm	30mm	3/4" (19.05mm)
SPTSD-18	18mm	30mm	3/4" (19.05mm)
IMPERIAL			
SPTSD-1/4	1/4"	30mm	3/4" (19.05mm)
SPTSD-5/16	5/16"	30mm	3/4" (19.05mm)
SPTSD-3/8	3/8"	30mm	3/4" (19.05mm)
SPTSD-7/16	7/16"	30mm	3/4" (19.05mm)
SPTSD-1/2	1/2"	30mm	3/4" (19.05mm)

MINI CUTTERS

For use with hand held portable drills, bench drills, pedestal drills & magnetic base drilling machines. Suitable for cutting metals & plastics.

- 8mm depth of cut
- 1/2" Weldon Shank



Part No.	Diameter	Depth Of Cut	Shank Size
HMMC08	8mm	8mm	1/2" (12.7mm)
HMMC10	10mm	8mm	1/2" (12.7mm)
HMMC12	12mm	8mm	1/2" (12.7mm)
HMMC13	13mm	8mm	1/2" (12.7mm)
HMMC14	14mm	8mm	1/2" (12.7mm)
HMMC16	16mm	8mm	1/2" (12.7mm)
HMMC18	18mm	8mm	1/2" (12.7mm)
HMMC20	20mm	8mm	1/2" (12.7mm)
HMMC22	22mm	8mm	1/2" (12.7mm)
HMMC24	24mm	8mm	1/2" (12.7mm)
HMMC25	25mm	8mm	1/2" (12.7mm)

MINI CUTTER ADAPTOR 3/4" WELDON SHANK

Allows the use of Holemaker Mini Cutters in Holemaker Magnetic Base Drilling Machines with standard 3/4" Weldon Arbors.



Part No.	Internal Diameter	Shank
HMMC19	1/2" Weldon	3/4" Weldon
SPMC03	Pilot Pin, 3.95 X 68mm Suit Mini Cutter In Adaptor	

MINI CUTTER ARBOR 10MM STRAIGHT SHANK

Allows the use of Holemaker Mini Cutters in standard twist drill chucks.



Part No.	Internal Diameter	Shank
HMMC10	1/2" Weldon	10mm Straight
SPMC01	Pilot Pin, 3.95 X 43mm Suit Mini Cutter In Drill Arbor	

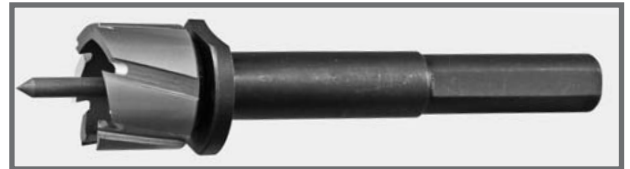
SHEET METAL CUTTERS INDIVIDUAL SIZES

For use with hand held portable drills, suitable for sheet metal & plastics.



Part No.	Diameter	Depth Of Cut	Thread Size
METRIC			
HSMC08	8mm	1/4" (6.34mm)	3/8-24
HSMC09	9mm	1/4" (6.34mm)	3/8-24
HSMC10	10mm	1/4" (6.34mm)	3/8-24
HSMC11	11mm	1/4" (6.34mm)	3/8-24
HSMC12	12mm	1/4" (6.34mm)	3/8-24
HSMC13	13mm	1/4" (6.34mm)	3/8-24
HSMC14	14mm	1/4" (6.34mm)	3/8-24
HSMC15	15mm	1/4" (6.34mm)	3/8-24
HSMC16	16mm	1/4" (6.34mm)	3/8-24
HSMC17	17mm	1/4" (6.34mm)	3/8-24
HSMC18	18mm	1/4" (6.34mm)	3/8-24
HSMC19	19mm	1/4" (6.34mm)	3/8-24
HSMC20	20mm	1/4" (6.34mm)	3/8-24
HSMC21	21mm	1/2" (12.7mm)	1/2-20
HSMC22	22mm	1/2" (12.7mm)	1/2-20
HSMC23	23mm	1/2" (12.7mm)	1/2-20
HSMC24	24mm	1/2" (12.7mm)	1/2-20
HSMC25	25mm	1/2" (12.7mm)	1/2-20
IMPERIAL			
HSMC-5/16	5/16"	1/4" (6.34mm)	3/8-24
HSMC-3/8	3/8"	1/4" (6.34mm)	3/8-24
HSMC-7/16	7/16"	1/4" (6.34mm)	3/8-24
HSMC-1/2	1/2"	1/4" (6.34mm)	3/8-24
HSMC-9/16	9/16"	1/4" (6.34mm)	3/8-24
HSMC-5/8	5/8"	1/4" (6.34mm)	3/8-24
HSMC-11/16	11/16"	1/4" (6.34mm)	3/8-24
HSMC-3/4	3/4"	1/4" (6.34mm)	3/8-24
HSMC-13/16	13/16"	1/2" (12.7mm)	1/2-20
HSMC-7/8	7/8"	1/2" (12.7mm)	1/2-20
HSMC-15/16	15/16"	1/2" (12.7mm)	1/2-20
HSMC-1	1"	1/2" (12.7mm)	1/2-20

SHEET METAL CUTTER SET METRIC & IMPERIAL



Part No.	Set Contents
HSMC-SET	8mm, 10mm, 12mm, 14mm, 16mm, 18mm, 20mm Arbor, Pilot Pin, Hex Key, Centre Punch, Small & Large Washers, Carry Case
HSMC-IMPSET	5/16", 3/8", 1/2", 9/16", 5/8", 11/16", 3/4" Arbor, Pilot Pin, Hex Key, Centre Punch, Small & Large Washers, Carry Case

SHEET METAL CUTTERS ARBORS & PILOT PINS

Arbors include pilot pin, washers & hex key

Part No.	Diameter	Thread Size
H SMA0820	Arbor To Suit 8mm - 20mm, 5/16" - 3/4" Cutters	3/8-24
H SMA2125	Arbor To Suit 21mm - 25mm, 13/16" - 1" Cutters	1/2-20
H SMP0820	Pilot Pin To Suit 8mm - 20mm, 5/16" - 3/4" Cutters	-
H SMP2125	Pilot Pin To Suit 21mm - 25mm, 13/16" - 1" Cutters	-

SUPER-CUT COBALT M42

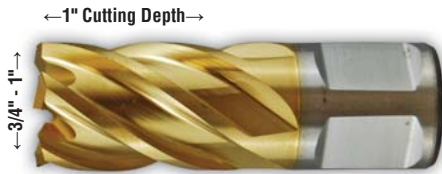


M42 High Speed Steel with 8% Cobalt

Cobalt M42 suitable for hardened steel up to 350BNH (38HRC) ie: hard steels or steel with 'hard spots'.

Titanium nitride coating (gold colour) has a hardness of 85HRC and coating thickness of 1-3 microns thus providing a harder surface, and reduced friction, giving longer life.

SUPER-CUT COBALT 1" DEPTH OF CUT



Part No.	Diameter	Depth Of Cut	Pilot Pin Diameter	Shank Diameter
SC3/4X1CTN	3/4"	1"	6.34mm	3/4" (19.05mm)
SC7/8X1CTN	7/8"	1"	6.34mm	3/4" (19.05mm)
SC1X1CTN	1"	1"	6.34mm	3/4" (19.05mm)

6.34mm Pilot Pin to suit - Part# SP16003

SUPER-CUT CHASSIS CUTTER



M42 Cobalt Cutter with Stack Grinding

Stack grinding allows the cutter to go through 2 or more layers of material in one pass. These cutters are ideally suited for drilling truck chassis.

SUPER-CUT CHASSIS 1" DEPTH OF CUT



Part No.	Diameter	Depth Of Cut	Pilot Pin Diameter	Shank Diameter
SC1/2X1COSG	1/2"	1"	4.70mm	3/4" (19.05mm)
SC9/16X1COSG	9/16"	1"	6.34mm	3/4" (19.05mm)
SC5/8X1COSG	5/8"	1"	6.34mm	3/4" (19.05mm)
SC3/4X1COSG	3/4"	1"	6.34mm	3/4" (19.05mm)
SC7/8X1COSG	7/8"	1"	6.34mm	3/4" (19.05mm)
SC1X1COSG	1"	1"	6.34mm	3/4" (19.05mm)

4.70mm Pilot Pin to suit - Part# SP16001
6.34mm Pilot Pin to suit - Part# SP16003

SUPER-CUT TICN COATED



Titanium Carbon Nitride Coated

TiCN coating (blue/grey in colour) is harder and tougher than other coating materials. Consequently it has high resistance to edge chipping and abrasive wear.

TiCN coating has a hardness of 90HRC and a coating thickness of 3 - 5 microns. Suitable for abrasive & difficult materials, e.g. : stainless steel, cast iron, SI-aluminium alloys.

SUPER-CUT TICN 25MM DEPTH OF CUT

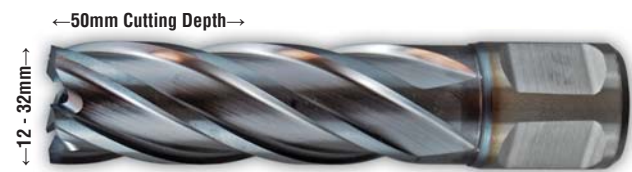


Part No.	Diameter	Depth Of Cut	Pilot Pin Diameter	Shank Diameter
SC1225TICN	12mm	25mm	4.70mm	3/4" (19.05mm)
SC1425TICN	14mm	25mm	4.70mm	3/4" (19.05mm)
SC1825TICN	18mm	25mm	6.34mm	3/4" (19.05mm)
SC2025TICN	20mm	25mm	6.34mm	3/4" (19.05mm)
SC2425TICN	24mm	25mm	6.34mm	3/4" (19.05mm)
SC2625TICN	26mm	25mm	6.34mm	3/4" (19.05mm)
SC2825TICN	28mm	25mm	6.34mm	3/4" (19.05mm)
SC3025TICN	30mm	25mm	6.34mm	3/4" (19.05mm)
SC3225TICN	32mm	25mm	6.34mm	3/4" (19.05mm)

4.70mm Pilot Pin to suit - Part# SP16001

6.34mm Pilot Pin to suit - Part# SP16003

SUPER-CUT TICN 50MM DEPTH OF CUT



Part No.	Diameter	Depth Of Cut	Pilot Pin Diameter	Shank Diameter
SC1250TICN	12mm	50mm	4.70mm	3/4" (19.05mm)
SC1450TICN	14mm	50mm	4.70mm	3/4" (19.05mm)
SC1650TICN	16mm	50mm	6.34mm	3/4" (19.05mm)
SC2050TICN	20mm	50mm	6.34mm	3/4" (19.05mm)
SC2250TICN	22mm	50mm	6.34mm	3/4" (19.05mm)
SC2450TICN	24mm	50mm	6.34mm	3/4" (19.05mm)
SC2650TICN	26mm	50mm	6.34mm	3/4" (19.05mm)
SC2850TICN	28mm	50mm	6.34mm	3/4" (19.05mm)
SC3050TICN	30mm	50mm	6.34mm	3/4" (19.05mm)
SC3250TICN	32mm	50mm	6.34mm	3/4" (19.05mm)

4.70mm Pilot Pin to suit - Part# SP16001

6.34mm Pilot Pin to suit - Part# SP16003

PRO-CUT ASP® POWDER STEEL

Pro-Cut ASP® powder steel cutters offer incredible wear resistance & ductility.

ASP® steels are produced by powder metallurgy through a 3-step process: gas-atomisation, hot isostatic pressing and post processing operations such as forging, rolling or drawing.

Suitable for drilling railway line, stainless steel & hardened steels, where high wear resistance and lifetime are required.

- Incredible wear resistance
- Uniform micro structure
- Less susceptible to breakage

PRO-CUT 25MM DEPTH OF CUT



Part No.	Diameter	Depth Of Cut	Pilot Pin Diameter	Shank Diameter
PC1225	12mm	25mm	6.34mm	3/4" (19.05mm)
PC1325	13mm	25mm	6.34mm	3/4" (19.05mm)
PC1425	14mm	25mm	6.34mm	3/4" (19.05mm)
PC1625	16mm	25mm	6.34mm	3/4" (19.05mm)
PC1825	18mm	25mm	6.34mm	3/4" (19.05mm)
PC1925	19mm	25mm	6.34mm	3/4" (19.05mm)
PC2025	20mm	25mm	6.34mm	3/4" (19.05mm)
PC2225	22mm	25mm	6.34mm	3/4" (19.05mm)

6.34mm Pilot Pin to suit - Part# SP16003

PRO-CUT 50MM DEPTH OF CUT



Part No.	Diameter	Depth Of Cut	Pilot Pin Diameter	Shank Diameter
PC1250	12mm	50mm	6.34mm	3/4" (19.05mm)
PC1350	13mm	50mm	6.34mm	3/4" (19.05mm)
PC1450	14mm	50mm	6.34mm	3/4" (19.05mm)
PC1650	16mm	50mm	6.34mm	3/4" (19.05mm)
PC1850	18mm	50mm	6.34mm	3/4" (19.05mm)
PC1950	19mm	50mm	6.34mm	3/4" (19.05mm)
PC2050	20mm	50mm	6.34mm	3/4" (19.05mm)
PC2250	22mm	50mm	6.34mm	3/4" (19.05mm)

6.34mm Pilot Pin to suit - Part# SP16003

MAXI-RAIL

Tungsten Carbide Tipped specifically designed for drilling railway line & suitable for drilling other hard materials such as wear plate & Bisalloy.

METRIC MAXI-RAIL 25MM DEPTH OF CUT



Part No.	Diameter	Depth Of Cut	Pilot Pin Diameter	Shank Diameter
HMAIL1825	18mm	25mm	8mm	3/4" (19.05mm)
HMAIL2025	20mm	25mm	8mm	3/4" (19.05mm)
HMAIL2225	22mm	25mm	8mm	3/4" (19.05mm)
HMAIL2425	24mm	25mm	8mm	3/4" (19.05mm)
HMAIL2525	25mm	25mm	8mm	3/4" (19.05mm)
HMAIL2625	26mm	25mm	8mm	3/4" (19.05mm)
HMAIL2725	27mm	25mm	8mm	3/4" (19.05mm)
HMAIL2825	28mm	25mm	8mm	3/4" (19.05mm)
HMAIL3025	30mm	25mm	8mm	3/4" (19.05mm)
HMAIL3225	32mm	25mm	8mm	3/4" (19.05mm)
HMAIL3525	35mm	25mm	8mm	3/4" (19.05mm)

8mm Pilot Pin to suit - Part# SP18025

ASP-RAIL 25MM DEPTH OF CUT ASP® 2030 HSS POWDER STEEL

ASP® 2030 powder steel offers incredible wear resistance & ductility. ASP® steels are produced by powder metallurgy through a 3-step process: gas-atomisation, hot isostatic pressing and post processing operations such as forging, rolling or drawing.

Suitable for drilling railway line, stainless steel & hardened steels, where high wear resistance and lifetime are required.

- Incredible wear resistance
- Uniform micro structure
- Less susceptible to breakage



Part No.	Diameter	Depth Of Cut	Pilot Pin Diameter	Shank Diameter
HMAIL3225-ASP	32mm	25mm	6.34mm	3/4" (19.05mm)

6.34mm Pilot Pin to suit - Part# SP16003

MAXI-CUT METRIC CUTTERS

Tungsten Carbide Tipped Annular Cutters

As well as providing excellent life in mild steel, Tungsten Carbide Tipped Cutters are suitable for drilling difficult materials eg. stainless steel, Bisalloy and wear plate.

These Tungsten Carbide Tipped Cutters consist of an alloy metal body, and tungsten carbide cutting teeth. Due to this composition, these cutters are less susceptible to breakage than standard high speed steel cutters, especially in larger diameters and longer lengths.

The tungsten carbide cutting teeth can also be sharpened and replaced.

Large range available in sizes 12-150mm diameters, and lengths up to 150mm.

METRIC MAXI-CUT 35MM DEPTH OF CUT



Part No.	Diameter	Depth Of Cut	Pilot Pin Diameter	Shank Diameter
MAX35-12	12mm	35mm	6.34mm	3/4" (19.05mm)
MAX35-13	13mm	35mm	6.34mm	3/4" (19.05mm)
MAX35-14	14mm	35mm	6.34mm	3/4" (19.05mm)
MAX35-15	15mm	35mm	6.34mm	3/4" (19.05mm)
MAX35-16	16mm	35mm	6.34mm	3/4" (19.05mm)
MAX35-17	17mm	35mm	6.34mm	3/4" (19.05mm)
MAX35-18	18mm	35mm	8mm	3/4" (19.05mm)
MAX35-19	19mm	35mm	8mm	3/4" (19.05mm)
MAX35-20	20mm	35mm	8mm	3/4" (19.05mm)
MAX35-21	21mm	35mm	8mm	3/4" (19.05mm)
MAX35-22	22mm	35mm	8mm	3/4" (19.05mm)
MAX35-23	23mm	35mm	8mm	3/4" (19.05mm)
MAX35-24	24mm	35mm	8mm	3/4" (19.05mm)
MAX35-25	25mm	35mm	8mm	3/4" (19.05mm)
MAX35-26	26mm	35mm	8mm	3/4" (19.05mm)
MAX35-27	27mm	35mm	8mm	3/4" (19.05mm)
MAX35-28	28mm	35mm	8mm	3/4" (19.05mm)
MAX35-29	29mm	35mm	8mm	3/4" (19.05mm)
MAX35-30	30mm	35mm	8mm	3/4" (19.05mm)
MAX35-31	31mm	35mm	8mm	3/4" (19.05mm)
MAX35-32	32mm	35mm	8mm	3/4" (19.05mm)
MAX35-35	35mm	35mm	8mm	3/4" (19.05mm)
MAX35-36	36mm	35mm	8mm	3/4" (19.05mm)
MAX35-38	38mm	35mm	8mm	3/4" (19.05mm)
MAX35-40	40mm	35mm	8mm	3/4" (19.05mm)

6.34mm Pilot Pin to suit - Part# SP16015

8mm Pilot Pin to suit - Part# SP18035

METRIC MAXI-CUT 50MM DEPTH OF CUT



Part No.	Diameter	Depth Of Cut	Pilot Pin Diameter	Shank Diameter
3/4" SHANK TYPE				
MAX50-12	12mm	50mm	6.34mm	3/4" (19.05mm)
MAX50-13	13mm	50mm	6.34mm	3/4" (19.05mm)
MAX50-14	14mm	50mm	6.34mm	3/4" (19.05mm)
MAX50-15	15mm	50mm	6.34mm	3/4" (19.05mm)
MAX50-16	16mm	50mm	6.34mm	3/4" (19.05mm)
MAX50-17	17mm	50mm	6.34mm	3/4" (19.05mm)
MAX50-18	18mm	50mm	8mm	3/4" (19.05mm)
MAX50-19	19mm	50mm	8mm	3/4" (19.05mm)
MAX50-20	20mm	50mm	8mm	3/4" (19.05mm)
MAX50-21	21mm	50mm	8mm	3/4" (19.05mm)
MAX50-22	22mm	50mm	8mm	3/4" (19.05mm)
MAX50-23	23mm	50mm	8mm	3/4" (19.05mm)
MAX50-24	24mm	50mm	8mm	3/4" (19.05mm)
MAX50-25	25mm	50mm	8mm	3/4" (19.05mm)
MAX50-26	26mm	50mm	8mm	3/4" (19.05mm)
MAX50-27	27mm	50mm	8mm	3/4" (19.05mm)
MAX50-28	28mm	50mm	8mm	3/4" (19.05mm)
MAX50-29	29mm	50mm	8mm	3/4" (19.05mm)
MAX50-30	30mm	50mm	8mm	3/4" (19.05mm)
MAX50-31	31mm	50mm	8mm	3/4" (19.05mm)
MAX50-32	32mm	50mm	8mm	3/4" (19.05mm)
MAX50-33	33mm	50mm	8mm	3/4" (19.05mm)
MAX50-34	34mm	50mm	8mm	3/4" (19.05mm)
MAX50-35	35mm	50mm	8mm	3/4" (19.05mm)
MAX50-36	36mm	50mm	8mm	3/4" (19.05mm)
MAX50-37	37mm	50mm	8mm	3/4" (19.05mm)
MAX50-38	38mm	50mm	8mm	3/4" (19.05mm)
MAX50-39	39mm	50mm	8mm	3/4" (19.05mm)
MAX50-40	40mm	50mm	8mm	3/4" (19.05mm)
MAX50-41	41mm	50mm	8mm	3/4" (19.05mm)
MAX50-42	42mm	50mm	8mm	3/4" (19.05mm)
MAX50-43	43mm	50mm	8mm	3/4" (19.05mm)
MAX50-44	44mm	50mm	8mm	3/4" (19.05mm)
MAX50-45	45mm	50mm	8mm	3/4" (19.05mm)
MAX50-46	46mm	50mm	8mm	3/4" (19.05mm)
MAX50-47	47mm	50mm	8mm	3/4" (19.05mm)
MAX50-48	48mm	50mm	8mm	3/4" (19.05mm)
MAX50-49	49mm	50mm	8mm	3/4" (19.05mm)
MAX50-50	50mm	50mm	8mm	3/4" (19.05mm)
MAX50-51	51mm	50mm	8mm	3/4" (19.05mm)
MAX50-52	52mm	50mm	8mm	3/4" (19.05mm)
MAX50-53	53mm	50mm	8mm	3/4" (19.05mm)
MAX50-54	54mm	50mm	8mm	3/4" (19.05mm)

6.34mm Pilot Pin to suit - Part# SP16004

8mm Pilot Pin to suit - Part# SP18050

METRIC MAXI-CUT 50MM DEPTH OF CUT



Part No.	Diameter	Depth Of Cut	Pilot Pin Diameter	Shank Diameter
3/4" SHANK TYPE				
MAX50-55	55mm	50mm	8mm	3/4" (19.05mm)
MAX50-56	56mm	50mm	8mm	3/4" (19.05mm)
MAX50-57	57mm	50mm	8mm	3/4" (19.05mm)
MAX50-58	58mm	50mm	8mm	3/4" (19.05mm)
MAX50-59	59mm	50mm	8mm	3/4" (19.05mm)
MAX50-60A	60mm	50mm	8mm	3/4" (19.05mm)
MAX50-61A	61mm	50mm	8mm	3/4" (19.05mm)
MAX50-62A	62mm	50mm	8mm	3/4" (19.05mm)
MAX50-63A	63mm	50mm	8mm	3/4" (19.05mm)
MAX50-64A	64mm	50mm	8mm	3/4" (19.05mm)
MAX50-65A	65mm	50mm	8mm	3/4" (19.05mm)
MAX50-66A	66mm	50mm	8mm	3/4" (19.05mm)
MAX50-67A	67mm	50mm	8mm	3/4" (19.05mm)
MAX50-68A	68mm	50mm	8mm	3/4" (19.05mm)
MAX50-69A	69mm	50mm	8mm	3/4" (19.05mm)
MAX50-70A	70mm	50mm	8mm	3/4" (19.05mm)
MAX50-71A	71mm	50mm	8mm	3/4" (19.05mm)
MAX50-72A	72mm	50mm	8mm	3/4" (19.05mm)
MAX50-73A	73mm	50mm	8mm	3/4" (19.05mm)
MAX50-74A	74mm	50mm	8mm	3/4" (19.05mm)
MAX50-75A	75mm	50mm	8mm	3/4" (19.05mm)

8mm Pilot Pin to suit - Part# SP18050

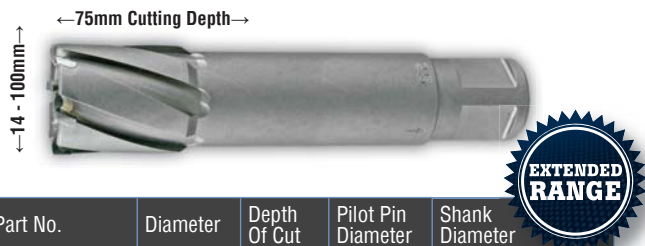
METRIC MAXI-CUT 50MM DEPTH OF CUT



Part No.	Diameter	Depth Of Cut	Pilot Pin Diameter	Shank Diameter
1-1/4" SHANK TYPE				
MAX50-60B	60mm	50mm	8mm	1-1/4" (31.75mm)
MAX50-61B	61mm	50mm	8mm	1-1/4" (31.75mm)
MAX50-62B	62mm	50mm	8mm	1-1/4" (31.75mm)
MAX50-63B	63mm	50mm	8mm	1-1/4" (31.75mm)
MAX50-64B	64mm	50mm	8mm	1-1/4" (31.75mm)
MAX50-65B	65mm	50mm	8mm	1-1/4" (31.75mm)
MAX50-66B	66mm	50mm	8mm	1-1/4" (31.75mm)
MAX50-67B	67mm	50mm	8mm	1-1/4" (31.75mm)
MAX50-68B	68mm	50mm	8mm	1-1/4" (31.75mm)
MAX50-69B	69mm	50mm	8mm	1-1/4" (31.75mm)
MAX50-70B	70mm	50mm	8mm	1-1/4" (31.75mm)
MAX50-71B	71mm	50mm	8mm	1-1/4" (31.75mm)
MAX50-72B	72mm	50mm	8mm	1-1/4" (31.75mm)
MAX50-73B	73mm	50mm	8mm	1-1/4" (31.75mm)
MAX50-74B	74mm	50mm	8mm	1-1/4" (31.75mm)
MAX50-75B	75mm	50mm	8mm	1-1/4" (31.75mm)
MAX50-76B	76mm	50mm	8mm	1-1/4" (31.75mm)
MAX50-77B	77mm	50mm	8mm	1-1/4" (31.75mm)
MAX50-78B	78mm	50mm	8mm	1-1/4" (31.75mm)
MAX50-79B	79mm	50mm	8mm	1-1/4" (31.75mm)
MAX50-80B	80mm	50mm	8mm	1-1/4" (31.75mm)
MAX50-81B	81mm	50mm	8mm	1-1/4" (31.75mm)
MAX50-82B	82mm	50mm	8mm	1-1/4" (31.75mm)
MAX50-83B	83mm	50mm	8mm	1-1/4" (31.75mm)
MAX50-84B	84mm	50mm	8mm	1-1/4" (31.75mm)
MAX50-85B	85mm	50mm	8mm	1-1/4" (31.75mm)
MAX50-86B	86mm	50mm	8mm	1-1/4" (31.75mm)
MAX50-87B	87mm	50mm	8mm	1-1/4" (31.75mm)
MAX50-88B	88mm	50mm	8mm	1-1/4" (31.75mm)
MAX50-89B	89mm	50mm	8mm	1-1/4" (31.75mm)
MAX50-90B	90mm	50mm	8mm	1-1/4" (31.75mm)
MAX50-92B	92mm	50mm	8mm	1-1/4" (31.75mm)
MAX50-95B	95mm	50mm	8mm	1-1/4" (31.75mm)
MAX50-98B	98mm	50mm	8mm	1-1/4" (31.75mm)
MAX50-100B	100mm	50mm	8mm	1-1/4" (31.75mm)
MAX50-102B	102mm	50mm	8mm	1-1/4" (31.75mm)
MAX50-105B	105mm	50mm	8mm	1-1/4" (31.75mm)
MAX50-110B	110mm	50mm	8mm	1-1/4" (31.75mm)
MAX50-115B	115mm	50mm	8mm	1-1/4" (31.75mm)
MAX50-120B	120mm	50mm	8mm	1-1/4" (31.75mm)
MAX50-125B	125mm	50mm	8mm	1-1/4" (31.75mm)
MAX50-130B	130mm	50mm	8mm	1-1/4" (31.75mm)
MAX50-135B	135mm	50mm	8mm	1-1/4" (31.75mm)
MAX50-140B	140mm	50mm	8mm	1-1/4" (31.75mm)
MAX50-145B	145mm	50mm	8mm	1-1/4" (31.75mm)
MAX50-150B	150mm	50mm	8mm	1-1/4" (31.75mm)

8mm Pilot Pin to suit - Part# SP18050

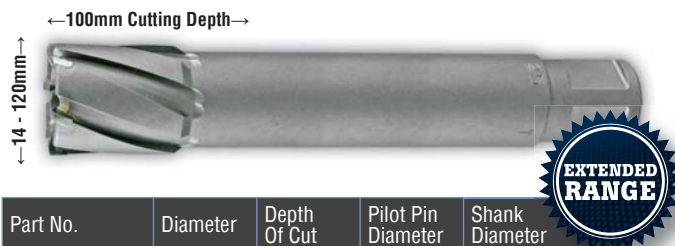
METRIC MAXI-CUT 75MM DEPTH OF CUT



Part No.	Diameter	Depth Of Cut	Pilot Pin Diameter	Shank Diameter
3/4" SHANK TYPE				
MAX75-14	14mm	75mm	6.34mm	3/4" (19.05mm)
MAX75-15	15mm	75mm	6.34mm	3/4" (19.05mm)
MAX75-16	16mm	75mm	6.34mm	3/4" (19.05mm)
MAX75-17	17mm	75mm	6.34mm	3/4" (19.05mm)
MAX75-18	18mm	75mm	8mm	3/4" (19.05mm)
MAX75-19	19mm	75mm	8mm	3/4" (19.05mm)
MAX75-20	20mm	75mm	8mm	3/4" (19.05mm)
MAX75-22	22mm	75mm	8mm	3/4" (19.05mm)
MAX75-24	24mm	75mm	8mm	3/4" (19.05mm)
MAX75-25	25mm	75mm	8mm	3/4" (19.05mm)
MAX75-26	26mm	75mm	8mm	3/4" (19.05mm)
MAX75-30	30mm	75mm	8mm	3/4" (19.05mm)
MAX75-32	32mm	75mm	8mm	3/4" (19.05mm)
MAX75-33	33mm	75mm	8mm	3/4" (19.05mm)
MAX75-34	34mm	75mm	8mm	3/4" (19.05mm)
MAX75-35	35mm	75mm	8mm	3/4" (19.05mm)
MAX75-36	36mm	75mm	8mm	3/4" (19.05mm)
MAX75-38	38mm	75mm	8mm	3/4" (19.05mm)
MAX75-40	40mm	75mm	8mm	3/4" (19.05mm)
MAX75-42	42mm	75mm	8mm	3/4" (19.05mm)
MAX75-45	45mm	75mm	8mm	3/4" (19.05mm)
MAX75-50	50mm	75mm	8mm	3/4" (19.05mm)
MAX75-50.5	50.5mm	75mm	8mm	3/4" (19.05mm)
MAX75-52	52mm	75mm	8mm	3/4" (19.05mm)
MAX75-55	55mm	75mm	8mm	3/4" (19.05mm)
1-1/4" SHANK TYPE				
MAX75-60B	60mm	75mm	8mm	1-1/4" (31.75mm)
MAX75-60.5B	60.5mm	75mm	8mm	1-1/4" (31.75mm)
MAX75-65B	65mm	75mm	8mm	1-1/4" (31.75mm)
MAX75-67B	67mm	75mm	8mm	1-1/4" (31.75mm)
MAX75-68B	68mm	75mm	8mm	1-1/4" (31.75mm)
MAX75-70B	70mm	75mm	8mm	1-1/4" (31.75mm)
MAX75-73B	73mm	75mm	8mm	1-1/4" (31.75mm)
MAX75-75B	75mm	75mm	8mm	1-1/4" (31.75mm)
MAX75-80B	80mm	75mm	8mm	1-1/4" (31.75mm)
MAX75-85B	85mm	75mm	8mm	1-1/4" (31.75mm)
MAX75-90B	90mm	75mm	8mm	1-1/4" (31.75mm)
MAX75-95B	95mm	75mm	8mm	1-1/4" (31.75mm)
MAX75-100B	100mm	75mm	8mm	1-1/4" (31.75mm)

6.34mm Pilot Pin to suit - Part# SP16005
8mm Pilot Pin to suit - Part # SP18075

METRIC MAXI-CUT 100MM DEPTH OF CUT



Part No.	Diameter	Depth Of Cut	Pilot Pin Diameter	Shank Diameter
3/4" SHANK TYPE				
MAX100-14	14mm	100mm	6.34mm	3/4" (19.05mm)
MAX100-15	15mm	100mm	6.34mm	3/4" (19.05mm)
MAX100-16	16mm	100mm	6.34mm	3/4" (19.05mm)
MAX100-17	17mm	100mm	6.34mm	3/4" (19.05mm)
MAX100-18	18mm	100mm	8mm	3/4" (19.05mm)
MAX100-19	19mm	100mm	8mm	3/4" (19.05mm)
MAX100-20	20mm	100mm	8mm	3/4" (19.05mm)
MAX100-21	21mm	100mm	8mm	3/4" (19.05mm)
MAX100-22	22mm	100mm	8mm	3/4" (19.05mm)
MAX100-23	23mm	100mm	8mm	3/4" (19.05mm)
MAX100-24	24mm	100mm	8mm	3/4" (19.05mm)
MAX100-25	25mm	100mm	8mm	3/4" (19.05mm)
MAX100-26	26mm	100mm	8mm	3/4" (19.05mm)
MAX100-27	27mm	100mm	8mm	3/4" (19.05mm)
MAX100-28	28mm	100mm	8mm	3/4" (19.05mm)
MAX100-29	29mm	100mm	8mm	3/4" (19.05mm)
MAX100-30	30mm	100mm	8mm	3/4" (19.05mm)
MAX100-31	31mm	100mm	8mm	3/4" (19.05mm)
MAX100-32	32mm	100mm	8mm	3/4" (19.05mm)
MAX100-33	33mm	100mm	8mm	3/4" (19.05mm)
MAX100-34	34mm	100mm	8mm	3/4" (19.05mm)
MAX100-35	35mm	100mm	8mm	3/4" (19.05mm)
MAX100-36	36mm	100mm	8mm	3/4" (19.05mm)
MAX100-37	37mm	100mm	8mm	3/4" (19.05mm)
MAX100-38	38mm	100mm	8mm	3/4" (19.05mm)
MAX100-39	39mm	100mm	8mm	3/4" (19.05mm)
MAX100-40	40mm	100mm	8mm	3/4" (19.05mm)
MAX100-41	41mm	100mm	8mm	3/4" (19.05mm)
MAX100-42	42mm	100mm	8mm	3/4" (19.05mm)
MAX100-43	43mm	100mm	8mm	3/4" (19.05mm)
MAX100-44	44mm	100mm	8mm	3/4" (19.05mm)
MAX100-45	45mm	100mm	8mm	3/4" (19.05mm)
MAX100-46	46mm	100mm	8mm	3/4" (19.05mm)
MAX100-47	47mm	100mm	8mm	3/4" (19.05mm)
MAX100-48	48mm	100mm	8mm	3/4" (19.05mm)
MAX100-49	49mm	100mm	8mm	3/4" (19.05mm)
MAX100-50	50mm	100mm	8mm	3/4" (19.05mm)
MAX100-51	51mm	100mm	8mm	3/4" (19.05mm)
MAX100-52	52mm	100mm	8mm	3/4" (19.05mm)
MAX100-53	53mm	100mm	8mm	3/4" (19.05mm)
MAX100-54	54mm	100mm	8mm	3/4" (19.05mm)
MAX100-55	55mm	100mm	8mm	3/4" (19.05mm)
MAX100-56	56mm	100mm	8mm	3/4" (19.05mm)
MAX100-57	57mm	100mm	8mm	3/4" (19.05mm)
MAX100-58	58mm	100mm	8mm	3/4" (19.05mm)
MAX100-59	59mm	100mm	8mm	3/4" (19.05mm)
MAX100-60	60mm	100mm	8mm	3/4" (19.05mm)

6.34mm Pilot Pin to suit - Part# SP16009
8mm Pilot Pin to suit - Part # SP18100

METRIC MAXI-CUT 100MM DEPTH OF CUT



Part No.	Diameter	Depth Of Cut	Pilot Pin Diameter	Shank Diameter
1-1/4" SHANK TYPE				
MAX100-61B	61mm	100mm	8mm	1-1/4" (31.75mm)
MAX100-62B	62mm	100mm	8mm	1-1/4" (31.75mm)
MAX100-63B	63mm	100mm	8mm	1-1/4" (31.75mm)
MAX100-64B	64mm	100mm	8mm	1-1/4" (31.75mm)
MAX100-65B	65mm	100mm	8mm	1-1/4" (31.75mm)
MAX100-66B	66mm	100mm	8mm	1-1/4" (31.75mm)
MAX100-67B	67mm	100mm	8mm	1-1/4" (31.75mm)
MAX100-68B	68mm	100mm	8mm	1-1/4" (31.75mm)
MAX100-69B	69mm	100mm	8mm	1-1/4" (31.75mm)
MAX100-70B	70mm	100mm	8mm	1-1/4" (31.75mm)
MAX100-71B	71mm	100mm	8mm	1-1/4" (31.75mm)
MAX100-72B	72mm	100mm	8mm	1-1/4" (31.75mm)
MAX100-73B	73mm	100mm	8mm	1-1/4" (31.75mm)
MAX100-74B	74mm	100mm	8mm	1-1/4" (31.75mm)
MAX100-75B	75mm	100mm	8mm	1-1/4" (31.75mm)
MAX100-76B	76mm	100mm	8mm	1-1/4" (31.75mm)
MAX100-77B	77mm	100mm	8mm	1-1/4" (31.75mm)
MAX100-78B	78mm	100mm	8mm	1-1/4" (31.75mm)
MAX100-79B	79mm	100mm	8mm	1-1/4" (31.75mm)
MAX100-80B	80mm	100mm	8mm	1-1/4" (31.75mm)
MAX100-81B	81mm	100mm	8mm	1-1/4" (31.75mm)
MAX100-82B	82mm	100mm	8mm	1-1/4" (31.75mm)
MAX100-83B	83mm	100mm	8mm	1-1/4" (31.75mm)
MAX100-84B	84mm	100mm	8mm	1-1/4" (31.75mm)
MAX100-85B	85mm	100mm	8mm	1-1/4" (31.75mm)
MAX100-86B	86mm	100mm	8mm	1-1/4" (31.75mm)
MAX100-87B	87mm	100mm	8mm	1-1/4" (31.75mm)
MAX100-88B	88mm	100mm	8mm	1-1/4" (31.75mm)
MAX100-89B	89mm	100mm	8mm	1-1/4" (31.75mm)
MAX100-90B	90mm	100mm	8mm	1-1/4" (31.75mm)
MAX100-92B	92mm	100mm	8mm	1-1/4" (31.75mm)
MAX100-95B	95mm	100mm	8mm	1-1/4" (31.75mm)
MAX100-100B	100mm	100mm	8mm	1-1/4" (31.75mm)
MAX100-102B	102mm	100mm	8mm	1-1/4" (31.75mm)
MAX100-105B	105mm	100mm	8mm	1-1/4" (31.75mm)
MAX100-110B	110mm	100mm	8mm	1-1/4" (31.75mm)
MAX100-115B	115mm	100mm	8mm	1-1/4" (31.75mm)
MAX100-120B	120mm	100mm	8mm	1-1/4" (31.75mm)

8mm Pilot Pin to suit - Part # SP18100

METRIC MAXI-CUT 150MM DEPTH OF CUT



Part No.	Diameter	Depth Of Cut	Pilot Pin Diameter	Shank Diameter
1-1/4" SHANK TYPE				
MAX150-18	18mm	150mm	8mm	3/4" (19.05mm)
MAX150-19	19mm	150mm	8mm	3/4" (19.05mm)
MAX150-20	20mm	150mm	8mm	3/4" (19.05mm)
MAX150-22	22mm	150mm	8mm	3/4" (19.05mm)
MAX150-24	24mm	150mm	8mm	3/4" (19.05mm)
MAX150-25	25mm	150mm	8mm	3/4" (19.05mm)
MAX150-26	26mm	150mm	8mm	3/4" (19.05mm)
MAX150-28	28mm	150mm	8mm	3/4" (19.05mm)
MAX150-30	30mm	150mm	8mm	3/4" (19.05mm)
MAX150-32	32mm	150mm	8mm	3/4" (19.05mm)
MAX150-34	34mm	150mm	8mm	3/4" (19.05mm)
MAX150-35	35mm	150mm	8mm	3/4" (19.05mm)
MAX150-36	36mm	150mm	8mm	3/4" (19.05mm)
MAX150-38	38mm	150mm	8mm	3/4" (19.05mm)
MAX150-40	40mm	150mm	8mm	3/4" (19.05mm)
MAX150-42	42mm	150mm	8mm	3/4" (19.05mm)
MAX150-44	44mm	150mm	8mm	3/4" (19.05mm)
MAX150-45	45mm	150mm	8mm	3/4" (19.05mm)
MAX150-46	46mm	150mm	8mm	3/4" (19.05mm)
MAX150-48	48mm	150mm	8mm	3/4" (19.05mm)
MAX150-50	50mm	150mm	8mm	3/4" (19.05mm)
MAX150-51	51mm	150mm	8mm	3/4" (19.05mm)
MAX150-52	52mm	150mm	8mm	3/4" (19.05mm)
MAX150-54	54mm	150mm	8mm	3/4" (19.05mm)
MAX150-55	55mm	150mm	8mm	3/4" (19.05mm)
MAX150-56	56mm	150mm	8mm	3/4" (19.05mm)
MAX150-58	58mm	150mm	8mm	3/4" (19.05mm)
MAX150-60	60mm	150mm	8mm	3/4" (19.05mm)

8mm Pilot Pin to suit - Part # SP18150

MAXI-CUT IMPERIAL CUTTERS

Tungsten Carbide Tipped Annular Cutters

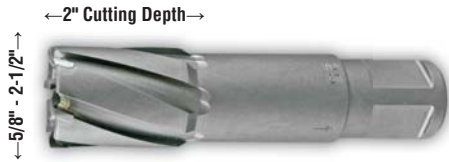
As well as providing excellent life in mild steel, Tungsten Carbide Tipped Annular Cutters are suitable for drilling difficult materials eg. stainless steel, Bisalloy and wear plate.

These Tungsten Carbide Tipped Cutters consist of an alloy metal body, and tungsten carbide cutting teeth. Due to this composition, these cutters are less susceptible to breakage than standard high speed steel cutters, especially in larger diameters and lengths.

The tungsten carbide cutting teeth can also be sharpened and replaced.

Large range available in sizes 5/8" to 2-1/2" diameters, and lengths up to 4".

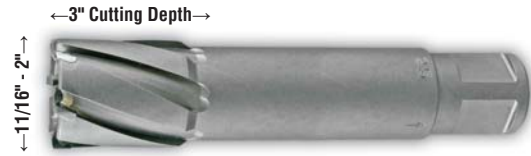
IMPERIAL MAXI-CUT 2" DEPTH OF CUT



Part No.	Diameter	Depth Of Cut	Pilot Pin Diameter	Shank Diameter
MAX50I-5/8	5/8"	15.87mm	2"	6.34mm
MAX50I-3/4	3/4"	19.05mm	2"	6.34mm
MAX50I-7/8	7/8"	22.22mm	2"	6.34mm
MAX50I-1	1"	25.40mm	2"	6.34mm
MAX50I-1-1/8	1-1/8"	28.57mm	2"	6.34mm
MAX50I-1-1/4	1-1/4"	31.75mm	2"	6.34mm
MAX50I-1-5/16	1-5/16"	33.34mm	2"	6.34mm
MAX50I-1-3/8	1-3/8"	34.92mm	2"	6.34mm
MAX50I-1-1/2	1-1/2"	38.10mm	2"	6.34mm
MAX50I-1-5/8	1-5/8"	41.27mm	2"	6.34mm
MAX50I-1-3/4	1-3/4"	44.45mm	2"	6.34mm
MAX50I-1-7/8	1-7/8"	47.62mm	2"	6.34mm
MAX50I-2	2"	50.80mm	2"	6.34mm
MAX50I-2-1/8	2-1/8"	53.97mm	2"	6.34mm
MAX50I-2-1/4	2-1/4"	57.15mm	2"	6.34mm
MAX50I-2-3/8	2-3/8"	60.33mm	2"	6.34mm
MAX50I-2-1/2	2-1/2"	63.50mm	2"	6.34mm

6.34mm Pilot Pin to suit - Part # SP16004

IMPERIAL MAXI-CUT 3" DEPTH OF CUT



Part No.	Diameter	Depth Of Cut	Pilot Pin Diameter	Shank Diameter
MAX75I-11/16	11/16"	17.46mm	3"	8mm
MAX75I-3/4	3/4"	19.05mm	3"	8mm
MAX75I-7/8	7/8"	22.22mm	3"	8mm
MAX75I-1	1"	25.40mm	3"	8mm
MAX75I-1-1/8	1-1/8"	28.57mm	3"	8mm
MAX75I-1-1/4	1-1/4"	31.75mm	3"	8mm
MAX75I-1-5/16	1-5/16"	33.34mm	3"	8mm
MAX75I-1-3/8	1-3/8"	34.92mm	3"	8mm
MAX75I-1-1/2	1-1/2"	38.10mm	3"	8mm
MAX75I-1-5/8	1-5/8"	41.27mm	3"	8mm
MAX75I-1-3/4	1-3/4"	44.45mm	3"	8mm
MAX75I-1-7/8	1-7/8"	47.62mm	3"	8mm
MAX75I-2	2"	50.80mm	3"	8mm

8mm Pilot Pin to suit - Part # SP18075

IMPERIAL MAXI-CUT 4" DEPTH OF CUT



Part No.	Diameter	Depth Of Cut	Pilot Pin Diameter	Shank Diameter
MAX100I-1	1"	25.4mm	4"	8mm

8mm Pilot Pin to suit - Part # SP18100

DRILL ACCESSORIES

INDUSTRIAL ARBORS

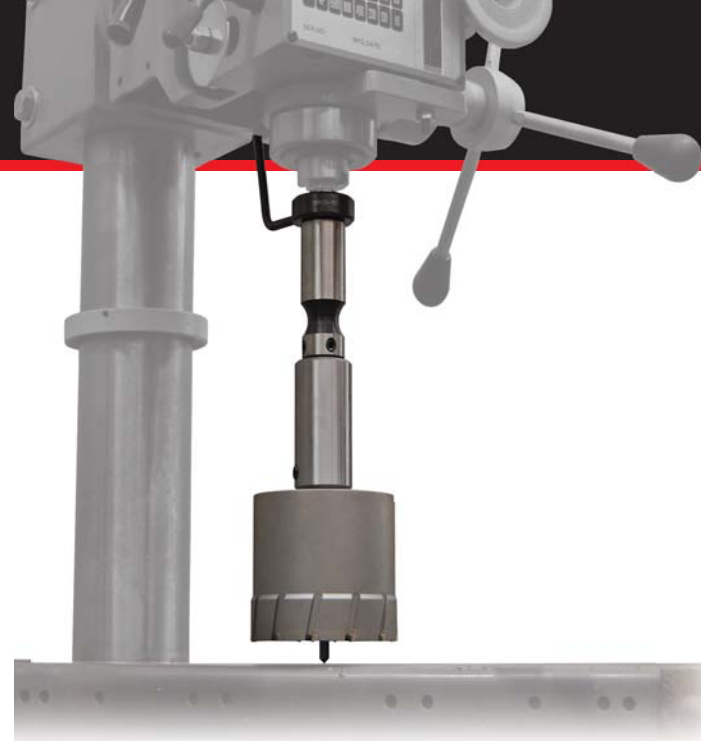
These arbors are designed to adapt conventional machines eg. drill presses, lathes, milling machines and others to accept Holemaker annular cutters. This becomes a very economical alternative to normal methods of drilling or boring large diameter or deep holes. By adding an extension arbor and long series annular cutter to your industrial arbor, you can achieve depths of up to 320mm in hollow section steel. Time savings in excess of 40% over normal drilling methods are not unusual.

- Adapt your drill press or lathe to use Holemaker annular cutters
- Time savings in excess of 40%
- Economical compared with conventional methods
- Large cutting capacity up to 150mm diameter



Part No.	Morse Taper	Maximum Depth Of Cut	To Suit Shank Size
SAIA2S	#2 MT	50mm	3/4"
SAIA2S-75	#2 MT	75mm	3/4"
SAIA3S	#3 MT	50mm	3/4"
SAIA3S-100	#3 MT	110mm	3/4"
SAIA3SW	#3 MT	50mm	1-1/4"
SAIA3SW-100	#3 MT	110mm	1-1/4"
SAIA4S	#4 MT	50mm	3/4"
SAIA4S-100	#4 MT	110mm	3/4"
SAIA4SW	#4 MT	50mm	1-1/4"
SAIA4SW-100	#4 MT	110mm	1-1/4"
SAIA5SW	#5 MT	50mm	1-1/4"
SAIA5SW-100	#5 MT	110mm	1-1/4"

Our large range of magnetic base drilling machine accessories enables the most diverse range of jobs to be completed successfully.



EXTENSION ARBORS

- An extension arbor allows greater depths to be reached with your Holemaker cutters



Part No.	Extension Length	Pilot Pin Diameter	Shank Diameter	Minimum Cutter Diameter
SAE025-6	25mm	6.34mm	3/4"	36mm
SAE050-6	50mm	6.34mm	3/4"	36mm
SAE075-6	75mm	6.34mm	3/4"	36mm
SAE100-6	100mm	6.34mm	3/4"	36mm
SAE025-8	25mm	8mm	3/4"	36mm
SAE050-8	50mm	8mm	3/4"	36mm
SAE075-8	75mm	8mm	3/4"	36mm
SAE100-8	100mm	8mm	3/4"	36mm
SAE050-8B	50mm	8mm	1-1/4"	50mm
SAE100-8B	100mm	8mm	1-1/4"	50mm

QUICK GRIP INDUSTRIAL ARBORS

These Quick Grip Arbors offer a tool less approach to holding 3/4" Weldon Shank Holemaker cutters in place. Complete with coolant inducer.



Part No.	Morse Taper	Maximum Depth Of Cut	To Suit Shank Size
SAQCA-2MT	#2 MT	50mm	3/4"
SAQCA-3MT	#3 MT	50mm	3/4"

DRILL CHUCKS & ADAPTORS

Complete setup to adapt your Holemaker machine to use twist drill bits.



Part No.	To Suit Machines	Arbor / Adaptor	Capacity
SA70102	HMPRO40	-	13mm
SA20102	HMPRO50 / SM2X2-MT2	#2 MT	13mm
SA33344	HMPRO75 / SM3X3 / SM4X4	#3 MT	19mm
SA4019	HMPRO110	#4 MT	19mm

ADAPTORS

Adapt your magnetic base drilling machine for various applications.



SACA-52HSS



SADCA

Part No.	Description
SADCA	3/4" Male Universal Shank To 1/2" - 20 UNF Male Thread
SACA-52-6	3/4" Male Universal Shank To 3/4" Female Weldon Shank - 6.34mm Pin
SACA-52-8	3/4" Male Universal Shank To 3/4" Female Weldon Shank - 8mm Pin
SAQA-52	3/4" Male Quick In Shank To 3/4" Female Weldon Shank - 6.34mm Pin

MAGNETIC CLEAN UP WAND

Ideal for collecting ferrous materials including metal shavings, screws etc. Stainless steel construction with rubber handle.



Part No.	Description	Length	Diameter
MB-00	Mini Magnetic Wand	240mm	16mm
MB-01	Midi Magnetic Wand	385mm	25mm
MB-30	Maxi Magnetic Wand	1008mm	25mm

MAGNETIC CLEAN UP BROOM

Ideal for collecting ferrous materials including metal shavings, screws etc. off the floor.

- 355mm magnetic surface width
- 385mm overall width



Part No.	Description
MB-15	Magnetic Clean Up Broom

RATCHETING HEX KEY WRENCH

A complete set of standard hex wrenches in one compact tool. The ratcheting hex key wrench makes tightening or loosening socket head screws easy.



Part No.	Description
RHM001	Hex Key Wrench Metric 1.5 - 6mm
RHS001	Hex Key Wrench Metric 5/64" to 1/4"

VACUUM PAD

Adapt your Holemaker machine for use on non-ferrous materials.

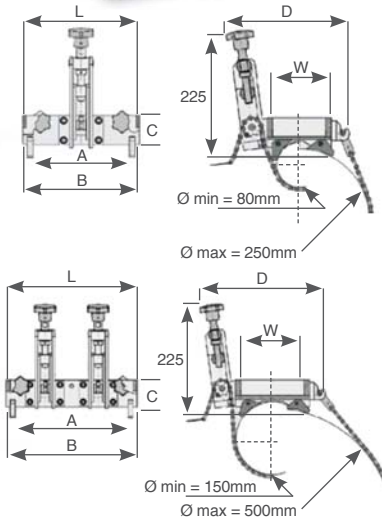
- L: 400mm W: 153mm H: 100mm
- Supply min air: 2.0CFM @ 85psi
- Surface does not have to be smooth, imperfections up to 3.0mm
- Surface holding power: 3.383Nm



Part No.	Description
DM110SP	Vac Pad For Use With Magnetic Drill

PIPE ATTACHMENT

Adapt your Holemaker machine to use on pipe.
Can be used on any ferrous and non-ferrous materials.
SAPA-1 : Single chain
SAPA-2 : Double chain



Part No.	Description	A	B	C	D	L	W
SAPA-1	Suit Pipe \varnothing 80mm To \varnothing 250mm Maximum Base Dimensions: 95 x 204mm	181	217	52.5	221	205	95
SAPA-2	Suit Pipe \varnothing 150mm To \varnothing 500mm Maximum Base Dimensions: 130 x 254mm	234	270	52.5	260	258	130

PILOT PIN SELECTION CHART

Use chart below to determine the correct pin for use with your extension arbor.

Annular Cutter Depth Of Cut	EXTENSION ARBOR LENGTH			
	25mm	50mm	75mm	100mm
6.34mm Pin				
25mm	SP16004	SP16005	SP16010	SP16011
50mm	SP16005	SP16010	SP16011	SP16012
75mm	SP16010	SP16011	SP16012	SP16013
100mm	SP16011	SP16012	SP16013	-
8.0mm Pin				
25mm	SP18050	SP18075	SP18100	SP18125
50mm	SP18075	SP18100	SP18125	SP18150
75mm	SP18100	SP18125	SP18150	SP18175
100mm	SP18125	SP18150	SP18175	SP18200
150mm	SP18150	SP18175	SP18200	-

PILOT PINS

A pilot pin serves three main purposes

- Ejects the slug at the end of the cut
- Provides coolant feed into the centre of the cutter
- Locates the centre of the cut



Part No.	Diameter	Annular Cutter Depth Of Cut	Overall Length
SP16001	4.70mm	25mm	77mm
SP16002	4.70mm	50mm	102mm
SP16003	6.34mm	25mm	77mm
SP16004	6.34mm	50mm	102mm
SP16005	6.34mm	75mm	127mm
SP16008	6.34mm	50mm 1-1/4" Shank	133mm
SP16009	6.34mm	100mm - Suit MAX100 (14 - 17mm \varnothing)	160mm
SP16010	6.34mm	100mm - Suit Extensions Arbors	153mm
SP16011	6.34mm	125mm	188mm
SP16012	6.34mm	150mm	203mm
SP16013	6.34mm	175mm	239mm
SP16015	6.34mm	Suit MAX35 (12 - 17mm \varnothing)	90mm
SP18025	8mm	25mm	77mm
SP18035	8mm	35mm	90mm
SP18050	8mm	50mm	108mm
SP18075	8mm	75mm	130mm
SP18100	8mm	100mm	160mm
SP18125	8mm	125mm	180mm
SP18150	8mm	150mm	205mm
SP18175	8mm	175mm	230mm
SP18200	8mm	200mm	255mm

2 PIECE PILOT PINS

The depth of cut restrictions for a magnetic base drilling machine using annular cutters is limited by the ability of the machine's arbor to retract the pilot pin within itself.

These two part pilot pins allow the depth of cut capacity to be increased. ie. a machine that is limited to 52mm depth of cut as standard can be increased to 75, 100 or 125mm depth of cut. A depth of cut capacity will still be limited by stroke.



Part No.	Diameter	Annular Cutter Depth Of Cut	Overall Length
SP20001	8mm	75mm	130mm
SP20003	8mm	100mm	158mm
SP20005	8mm	125mm	184mm

TAPPING ACCESSORIES

TAPPING HEAD

- Protection against tap breakage ensured by an ultra sensitive and smooth multi-position operating ball-clutch
- Forward and reverse ball drive design transmits rotational power to the tap and disengages smoothly and silently
- Axial float ensures smooth tapping and better thread profile
- Cushioned drive incorporating compression and extension, eliminates the possibility of cross threading during the tapping process, and ensures clean and accurate threads
- A planetary gear reversing mechanism transmits smooth positive reverse to the tap retraction and it retracts 75% faster than it enters
- Accurate depth control by means of its precise neutral mechanism



Part No.	Description
SPTH102	3 - 12mm Tapping Head With #2 MT
SPTH103	8 - 20mm Tapping Head With #3 MT

QUICK CHANGE TAPPING CHUCK

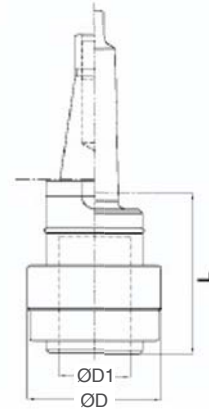
- Use with QASB3 Tap Collets (pg 21)
- Tapping capacity M33



Part No.	Description
SPTH103-QC3	3MT Tapping Chuck, Quick Change, M14 - 33 Capacity
SPTH104-QCLK3	4MT Tapping Chuck, Quick Change, M14 - 33 Capacity With Compression Extension

QUICK CHANGE CHUCK MASTER HOLDER

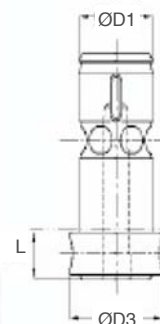
- Quick change chuck master holder for use on vertical drilling and boring machines with right and left hand spindle rotation. Used with quick change adaptors for drilling (KD Adaptor) and for tapping (KTX Adaptor)
- Sliding the outer sleeve towards the spindle unlocks the adaptor and sliding away from the spindle locks it



Part No.	Morse Taper	Suitable Adaptors	Shank Length	ØD1	ØD1
SPTH105-TF5	#5 MT	Size 5	130.5mm	100	60

KD MORSE TAPER TOOLING ADAPTORS

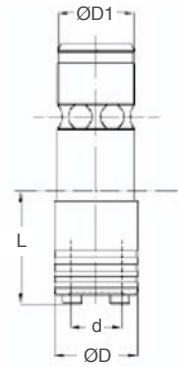
- For use with any Morse Taper tooling, fits directly into Quick Change Chuck Master Holder
- Increases speed of changing from hole drilling tooling to tapping tooling



Part No.	Female MT	Suitable Chuck	ØD1	ØD3	Length (L)
SPTH105-KD5-2	#2 MT	SPTH105-TF5	60mm	73mm	25mm
SPTH105-KD5-3	#3 MT	SPTH105-TF5	60mm	73mm	25mm
SPTH105-KD5-4	#4 MT	SPTH105-TF5	60mm	73mm	31mm

KTX TAP ADAPTORS

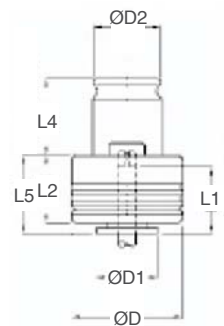
- Fits directly into Quick Change Chuck Master Holder (pg 34)
- For use with QASB tap collets (see below)



Part No.	Adaptor Size	Tapping Range	ØD1	ØD	d	Length (L)
SPTH103-KTX3/2	QASB2	M8 - M20	34mm	50mm	31mm	61mm
SPTH105-KTX5/2	QASB2	M8 - M20	60mm	50mm	31mm	61mm
SPTH105-KTX5/3	QASB3	M14 - M33	-	72mm	48mm	90mm
SPTH105-KTX5/4	QASB4	M22 - M52	-	95mm	60mm	110mm

QASB TAP COLLET

- Fits directly into KTX tap adaptors
- Safety clutch protects the tap from breakage



Part No.	Use Tap Adaptor	Suit Tap	ØD	ØD1	ØD2	L1	L3	L4	L5
SPTH105-QASB2-M8	QASB2	M8, 5/16" UNC/UNF/BSW, 1/8" BSP	50	30	31	30	31	35	34
SPTH105-QASB2-M10	QASB2	M10, 3/8" UNC/UNF/BSW, 1/4" BSP	50	30	31	30	31	35	34
SPTH105-QASB2-M12	QASB2	M12, 1/2" UNC/UNF/BSW	50	30	31	30	31	35	34
SPTH105-QASB2-M14	QASB2	M14, 9/16" UNC/UNF/BSW	50	30	31	30	31	35	34
SPTH105-QASB2-M16	QASB2	M16, 5/8" UNC/UNF/BSW, 3/4" BSP	50	30	31	30	31	35	34
SPTH105-QASB2-M20	QASB2	M18, M20, 3/4" UNC/UNF/BSW	50	30	31	30	31	35	34
SPTH105-QASB3-M14	QASB3	M14, 9/16" UNC/UNF/BSW	72	48	48	44	41	55.5	45
SPTH105-QASB3-M16	QASB3	M16, 5/8" UNC/UNF/BSW, 3/4" BSP	72	48	48	44	41	55.5	45
SPTH105-QASB3-M20	QASB3	M18, M20, 3/4" UNC/UNF/BSW	72	48	48	44	41	55.5	45
SPTH105-QASB3-M22	QASB3	M22, 7/8" UNC/UNF/BSW, 1/2" BSP	72	48	48	44	41	55.5	45
SPTH105-QASB3-M24	QASB3	M24, 1" UNC/UNF/BSW, 5/8" BSP	72	48	48	44	41	55.5	45
SPTH105-QASB3-M30	QASB3	M27, M30, 1-1/8" UNC/UNF/BSW, 3/4" BSP	72	48	48	44	41	55.5	45
SPTH105-QASB3-M33	QASB3	M33, 1-1/4" UNC/UNF/BSW, 7/8" BSP	72	48	48	44	41	55.5	45
SPTH105-QASB4-M22	QASB4	M22, 7/8" UNC/UNF/BSW, 1/2" BSP	95	60	60	71	61	63	68
SPTH105-QASB4-M24	QASB4	M24, 1" UNC/UNF/BSW, 5/8" BSP	95	60	60	71	61	63	68
SPTH105-QASB4-M27	QASB4	M27, M30, 1-1/8" UNC/UNF/BSW, 3/4" BSP	95	60	60	71	61	63	68
SPTH105-QASB4-M33	QASB4	M33, 1-1/4" UNC/UNF/BSW, 7/8" BSP	95	60	60	71	61	63	68
SPTH105-QASB4-M36	QASB4	M36, 1" BSP	95	60	60	71	61	63	68
SPTH105-QASB4-M39	QASB4	M39, M40, M42, 1-1/2" UNC/UNF/BSW	95	60	60	71	61	63	68
SPTH105-QASB4-M48	QASB4	M45, M48, 1-3/4" BSW, 1-1/4" BSP	95	60	60	71	61	63	68
SPTH105-QASB4-M52	QASB4	M52, 2" BSW, 1-1/2" BSP, 1-3/4" BSP	95	60	60	71	61	63	68



CUTTING FLUID

SOLUBLE METAL WORKING FLUID

Extra heavy duty, water soluble metal working fluid for use with Holemaker annular cutters and other arduous machining applications on ferrous and non ferrous metals.

- Formulated to extend tool life and improve surface finish
- Contains corrosion inhibitors to protect machine parts
- High resistance to bacterial and fungal growth

Mix 1 part fluid to 10 parts water



Part No.	Description
SPFLUID	500ml Metal Working Fluid
SPFLUID1	1 Litre Metal Working Fluid
SPFLUID5	5 Litre Metal Working Fluid
SPFLUID20	20 Litre Drum With Provision To Fit Tap

PRESSURE FEED COOLANT BOTTLE

The Pressure Feed Coolant Bottle connects directly to any magnetic drilling machine with a through spindle coolant system, making it possible to apply cutting fluid to the centre of the cut when drilling in vertical & horizontal positions. Also suitable for applications where a large amount of fluid is required - eg. large diameter, deep cutting, or very hard materials.



Part No.	Description
SA-WPB	1100ml Pressure Feed Coolant Bottle

TAP MAGIC METAL WORKING FLUID EP-XTRA

Highly effective for all cutting operations on all metals. You will especially appreciate the performance of this cutting fluid on hard metals and with difficult extreme-pressure cuts of long duration. You will also note dramatic improvements in tool life.



Part No.	Description
TAP10004E	125ml Sprout Top Can (24 Per Carton)
TAP10016E-P	472ml Plastic Bottle
TAP10125E	125ml Plastic Bottle
TAP10500E	500ml Plastic Bottle
TAP11000E	1 Litre Plastic Bottle
TAP15000E	5 Litre Plastic Bottle
TAP120000E	20 Litre Drum With Provision To Fit Tap

TAP MAGIC ALUMINIUM

Tap Magic Aluminium is a professional quality cutting fluid that is specially engineered for cutting and machining operations on aluminium and other non-ferrous metals. This is absolutely the most effective cutting fluid you can use for working with aluminium. Drilling, tapping, sawing - regardless of the cut, you'll enjoy superior performance, superb precision, and a beautiful microfine finish. Tap Magic Aluminium dissipates heat rapidly and provides closer tolerances. It also helps promote longer tool life.



Part No.	Description
TAP20004A	125ml Sprout Top Can (24 Per Carton)
TAP20016A-P	472ml Bottle (12 Per Carton)
TAP20640A	5 Gallon Drum

TAP MAGIC XTRA THICK

Tap Magic XTRA-THICK is without equal when making cuts of long duration on the hardest metals such as inonel, titanium, stainless and other hardened steels. In fact, it's highly effective on any metal up to 45 HRC! Tap Magic XTRA-THICK contains the proprietary EP-X3 additive for a performance boost. It virtually eliminates work hardening and it has an extended cling time – so it stays with the tool and work piece longer for deep hole cuts.



Part No.	Description
TAP70016E	472ml Bottle (12 Per Carton)

**FOR PRICING AND FURTHER INFORMATION
PLEASE CONTACT YOUR LOCAL DEALER**

Imported and distributed by
Industrial Tool & Machinery Sales
www.industrialtool.com.au